

SECTION 01-17B Hardtop, Removable

SUBJECT	PAGE	SUBJECT	PAGE
DESCRIPTION	01-17B-1	REMOVAL AND INSTALLATION (Cont'd.)	
REMOVAL AND INSTALLATION		Side Window Opening Weatherstrip	01-17B-7
Dome Lamp	01-17B-8	Side/Rear Attachments	01-17B-7
Exterior Mouldings, Side and Rear	01-17B-6	Trim Panel, Rear	01-17B-5
Hardtop	01-17B-1	Trim Panels, Interior Side	01-17B-5
Hardtop Front Attachment Bracket	01-17B-7	Window Retainer Moulding—Side	01-17B-6
Hardtop Side and Rear Windows	01-17B-8	Wiring Harness	01-17B-7
Hardtop-to-Vehicle Weatherstrip	01-17B-7	SPECIAL SERVICE TOOLS	01-17B-11
Headlining	01-17B-8	SPECIFICATIONS	01-17B-11
Mouldings, Roof	01-17B-6	VEHICLE APPLICATION	01-17B-1

VEHICLE APPLICATION

Capri.

DESCRIPTION

A removable hardtop is offered as an option for this vehicle. The hardtop is a one-piece unit with no adjustments.

The hardtop can be installed with the convertible top stored in its compartment or with the convertible top assembly removed from the vehicle.

The glass is held in place by both urethane and a retained weatherstrip.

REMOVAL AND INSTALLATION

Hardtop

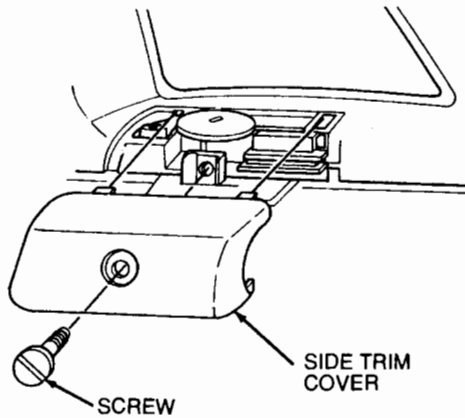
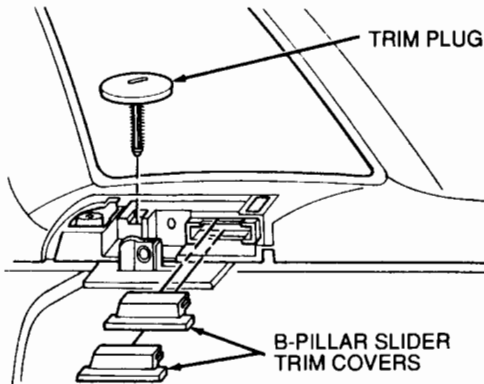
Removal

1. Disconnect battery negative cable.

2. Remove screws retaining side trim covers at each B-pillar.

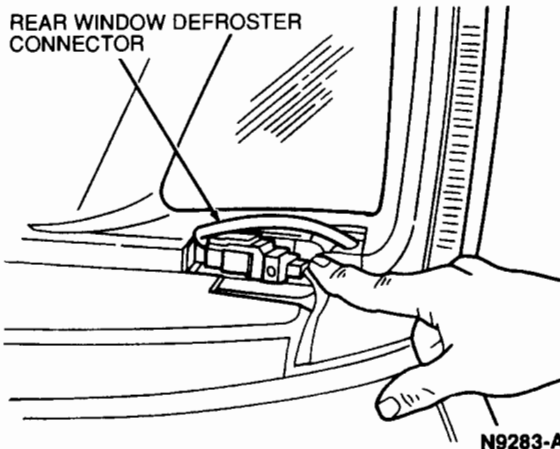
REMOVAL AND INSTALLATION (Continued)

3. Remove trim plug and B-pillar slider trim covers.

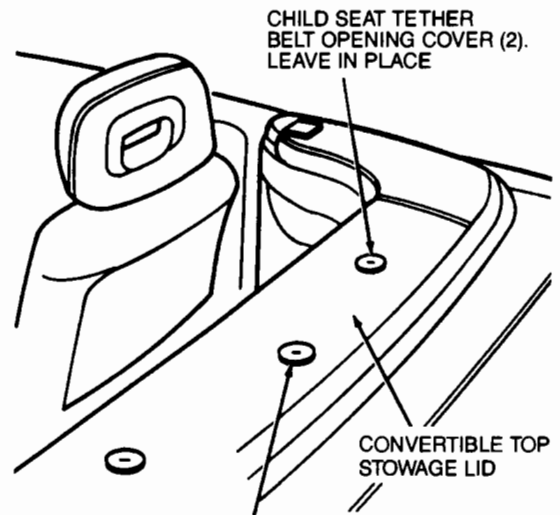


N9284-A

4. Disconnect rear window defroster connector at LH B-pillar.



5. Remove center trim cover from stowage lid.



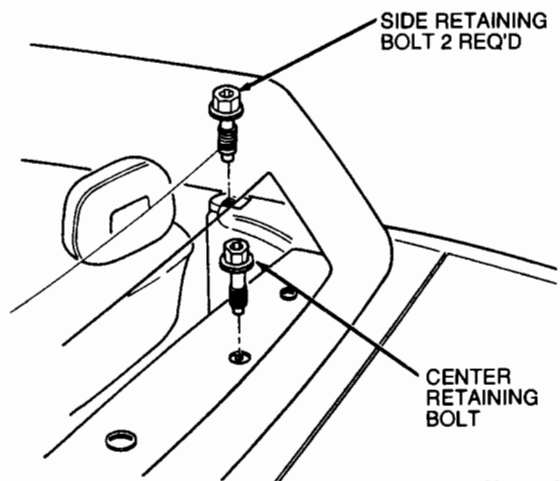
N9277-A

6. Loosen two side and one center hardtop retaining bolts using an 8mm hex wrench.

CAUTION: Care must be taken not to strike rear window with installation tool when removing center rear retaining bolt.

NOTE: Bolts and spacers will remain with hardtop.

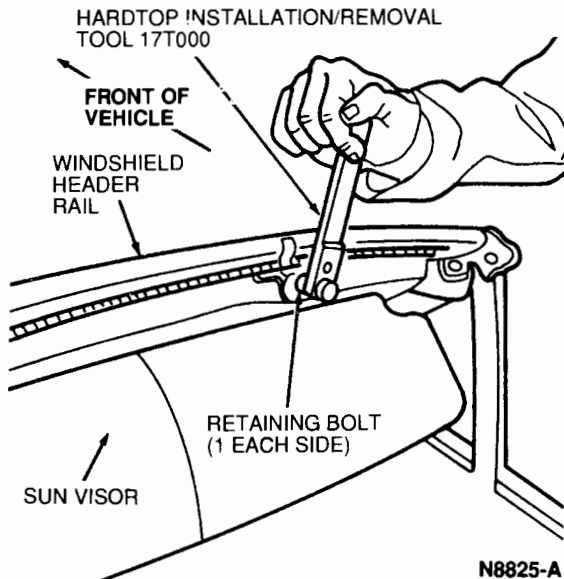
**RH SHOWN,
LH SYMMETRICALLY OPPOSITE**



N9281-A

REMOVAL AND INSTALLATION (Continued)

7. Lower sunvisors. Using Hardtop Installation/Removal Tool 17T000 or equivalent, remove two retaining bolts on each side of windshield header rail.



N8825-A

8. With an assistant, carefully lift hardtop from body and position out of the way.

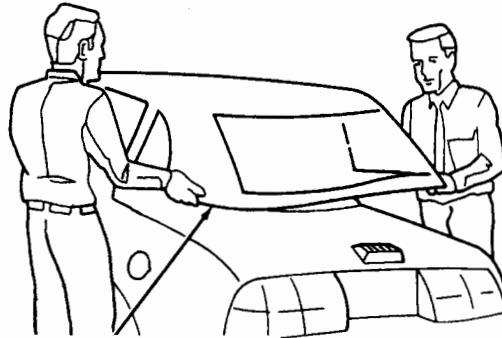
WARNING: REMOVAL OF THE HARDTOP REQUIRES TWO PEOPLE. THE HARDTOP WEIGHS APPROXIMATELY 34 KG (75 LB). DO NOT ATTEMPT TO REMOVE THE TOP ALONE. ALWAYS SEEK ASSISTANCE FROM AT LEAST ONE OTHER PERSON. FAILURE TO DO SO COULD RESULT IN PERSONAL INJURY AND/OR VEHICLE DAMAGE.

Installation

1. With an assistant, carefully position hardtop on body. Make sure that bolt holes on each side of hardtop are aligned with holes in windshield header rail and the locating spacers at each B-pillar location are aligned with bolt holes in body. Make sure that hardtop is positioned centrally to ensure correct sealing.

WARNING: INSTALLATION OF THE HARDTOP REQUIRES TWO PEOPLE. THE HARDTOP WEIGHS APPROXIMATELY 34 KG (75 LB). DO NOT ATTEMPT TO INSTALL THE TOP ALONE. ALWAYS SEEK ASSISTANCE FROM AT LEAST ONE OTHER PERSON. FAILURE TO DO SO COULD RESULT IN PERSONAL INJURY AND/OR VEHICLE DAMAGE.

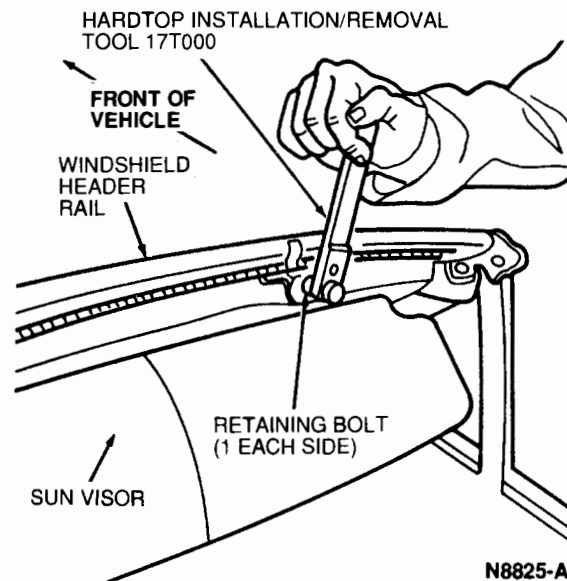
CAREFULLY LIFT HARDTOP INTO POSITION ENSURING MATING HOLES IN WINDSHIELD HEADER ARE ALIGNED AND LOCATING SPACERS ARE POSITIONED OVER LOCATING PINS ON BOTH SIDES.



HARDTOP TO BE POSITIONED CENTRALLY TO ENSURE CORRECT SEALING

N9280-A

2. Loosely install two windshield header hardtop retaining bolts. With an assistant applying downward pressure along front edge of hardtop, tighten retaining bolts until snug using Hardtop Installation/Removal Tool 17T000 or equivalent.

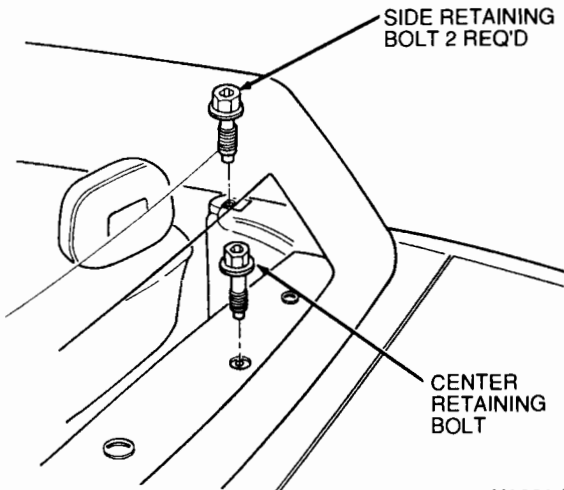


N8825-A

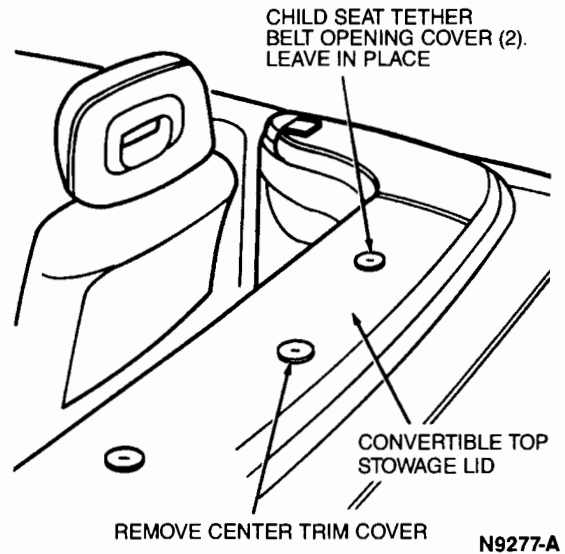
REMOVAL AND INSTALLATION (Continued)

3. Install two side and one center hardtop retaining bolts using an 8mm hex wrench.

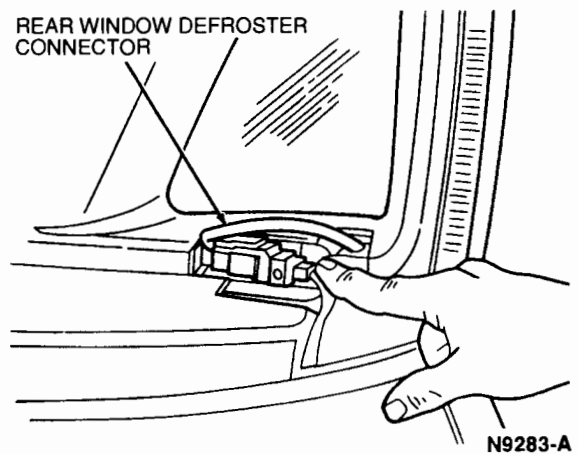
RH SHOWN,
LH SYMMETRICALLY OPPOSITE



4. Loosen two windshield header hardtop retaining bolts. With an assistant applying downward pressure along front edge of hardtop, tighten retaining bolts to 20-25 N·m (15-18 lb-ft).
 5. Tighten rear retaining bolts to 14-21 N·m (11-15 lb-ft).
- CAUTION: Care must be taken not to strike rear window with installation tool when installing center rear retaining bolt.**
6. Inspect hardtop to windshield header seal and hardtop to division bar for even contact along weatherstrips. Refer to Section 01-17A for adjustment of door glass and weather strips and seals.
 7. Install center trim cover on stowage lid.



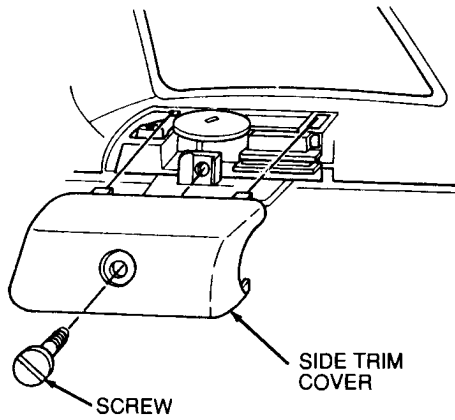
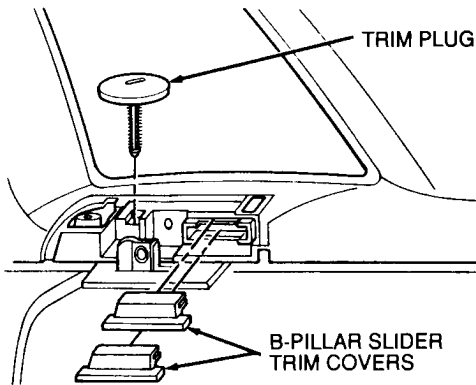
8. Connect rear window defroster connector at LH B-pillar.



9. Install B-pillar slider covers and trim plug.

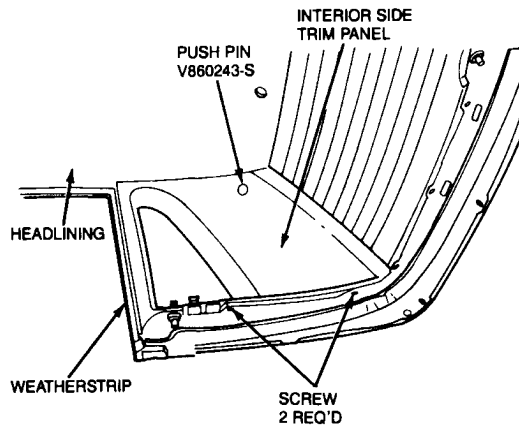
REMOVAL AND INSTALLATION (Continued)

10. Install side trim cover.



N9284-A

11. Connect battery negative cable.

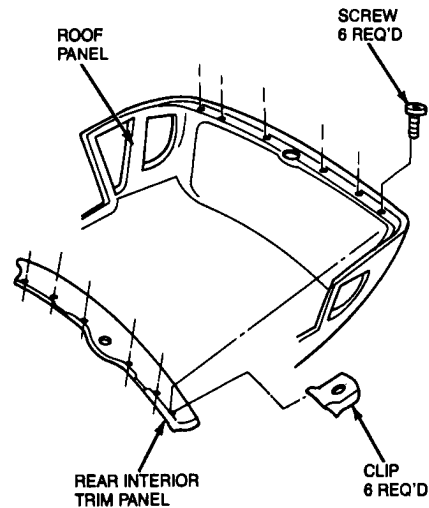


N8558-A

Trim Panel, Rear

Removal and Installation

1. Remove hardtop as outlined.
2. Remove screws from underside of hardtop.
3. Remove rear trim panel.
4. To install, reverse Removal procedure. Make sure clips are in place on trim panel.



N8559-A

Trim Panels, Interior Side

Removal and Installation

1. Remove hardtop as outlined.
2. Pull side window opening weatherstrip away from interior side trim panel.
3. Remove two screws from underside of hardtop.
4. Remove plastic push pin and remove side trim panel(s).
5. To install, reverse Removal procedure.