

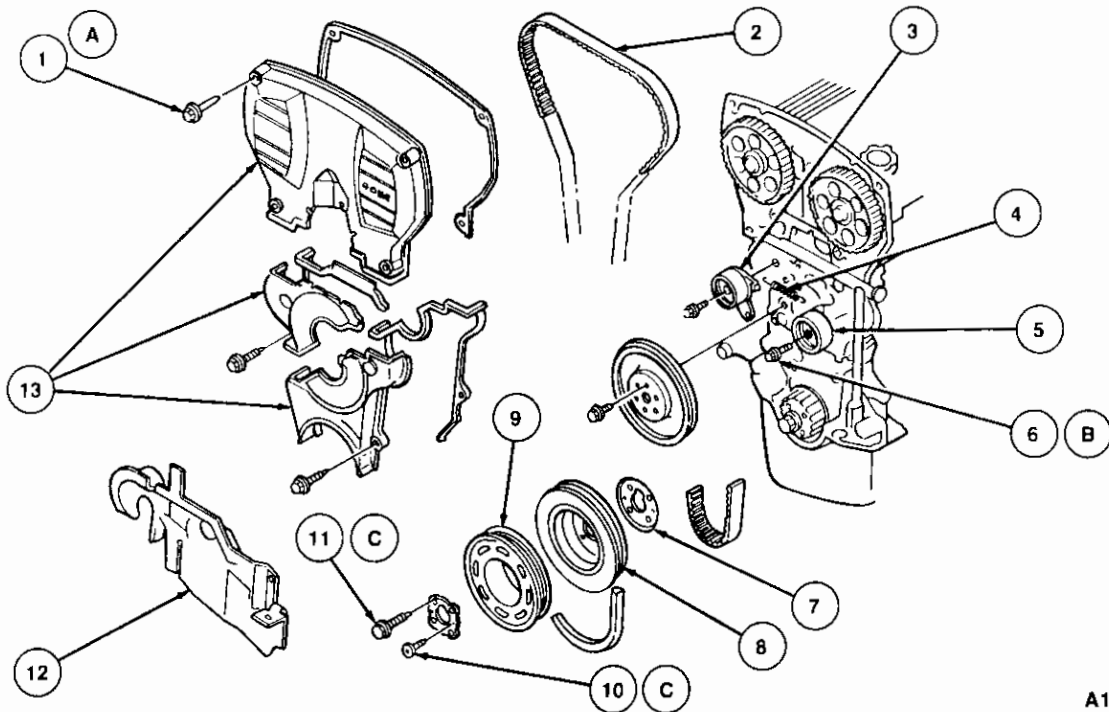
REMOVAL AND INSTALLATION (Continued)

- | | |
|---|--|
| <ul style="list-style-type: none"> 18. Install coolant hoses and vacuum lines to intake manifold and throttle body. 19. Install coolant hose to thermostat cover. 20. Install intake air tube to air cleaner. 21. Install spark plug wires and retainers. | <ul style="list-style-type: none"> 22. Install intake air tube to throttle body. Connect idle air control hoses. 23. Fill cooling system. Refer to Section 03-03. 24. Connect negative battery terminal. 25. Start engine. Check for proper operation. |
|---|--|

Timing Belt

Removal

- | | |
|---|---|
| <ul style="list-style-type: none"> 1. Raise vehicle on hoist. Refer to Section 00-02. 2. Remove right front tire and wheel assembly. Remove RH splash guard. 3. Lower vehicle. 4. Remove spark plugs. Set engine timing to TDC on No. 1 cylinder. 5. Remove generator and power steering belts. Refer to Section 03-05. 6. Remove oil dipstick. | <ul style="list-style-type: none"> 7. Remove water pump pulley. 8. Remove crankshaft pulley, damper and baffle plate. 9. Remove upper timing belt cover. 10. Remove center and lower timing belt covers. 11. Remove timing belt tension spring. 12. Loosen timing belt tension pulley. 13. Support engine with floor jack and remove RH engine mount as outlined. <p>NOTE: Mark timing belt rotation direction before removal.</p> <ul style="list-style-type: none"> 14. Remove timing belt. |
|---|---|



A13513-B

Item	Part Number	Description	Item	Part Number	Description
1A	9979 60635	Bolt (8 Req'd)	9	6A312	Crankshaft Pulley
2	6268	Timing Belt	10C	—	Screw (2 Req'd)
3	6K254	Tension Pulley	11C	6A345	Bolt (4 Req'd)
4	6L273	Tension Spring	12	—	Splash Guard
5	6M250	Idler Pulley	13	6019	Timing Belt Covers

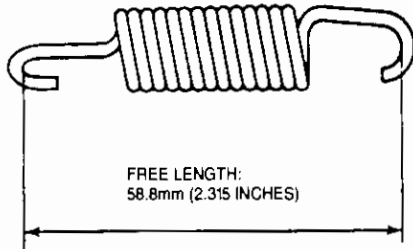
(Continued)

REMOVAL AND INSTALLATION (Continued)

Item	Part Number	Description	Item	Part Number	Description
6B	6K282	Bolt (2 Req'd)	A		Tighten to 8-11 N·m (7.1-9.7 Lb·In)
7	6306	Baffle Plate	B		Tighten to 37-52 N·m (28-38 Lb·Ft)
8	6312	Crankshaft Damper	C		Tighten to 12-17 N·m (10-12 Lb·Ft)

Inspection**Timing Belt Tension Spring**

When servicing the timing belt, check the free length of the timing belt tension spring. Replace if out of specification.

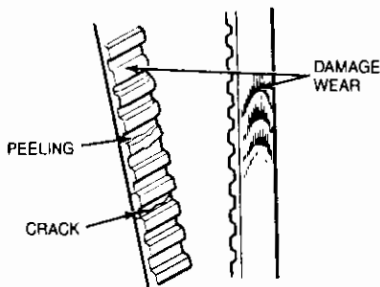


A13510-A

Timing Belt

CAUTION: Never twist, turn inside out, or bend timing belt. Keep belt away from grease and oil.

Replace the timing belt if affected by grease or oil. Check the timing belt for wear, tears, peeling, cracks or hardening. Replace the belt, if required.

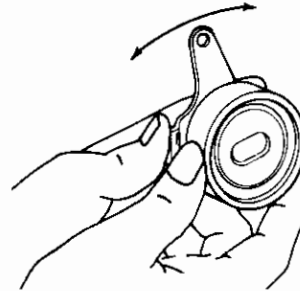


A14291-A

Tensioner and Idler Pulleys

CAUTION: Do not clean tensioner or idler pulleys with solvents. Wipe them clean only.

Spin pulleys by hand and check for smooth rotation or abnormal noise. Replace, if required.



A14292-A

Timing Belt Pulleys

CAUTION: Do not clean pulleys with solvents. Wipe them clean only.

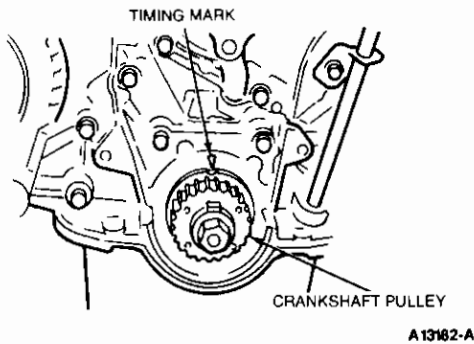
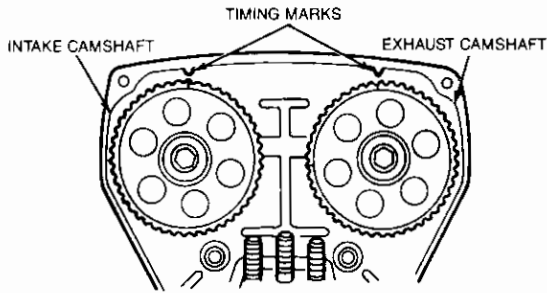
Inspect pulleys for wear, deformation, or damage. Replace, if required.

Installation

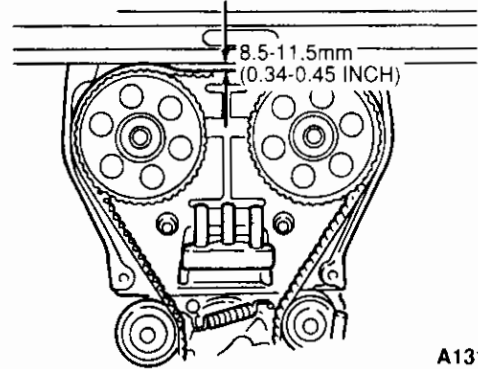
1. Ensure timing marks are properly positioned on camshafts and crankshaft as shown. The intake camshaft should have the letter "I" aligned with the arrow on the belt cover. The exhaust camshaft should have the letter "E" aligned with the arrow on the belt cover.

REMOVAL AND INSTALLATION (Continued)

2. The crankshaft key should align with the arrow as shown.



3. Tighten tension pulley with tension spring fully extended.
4. Install timing belt. Keep tension on the opposite side of the tensioner as tight as possible. Ensure rotation mark on belt is correct.
5. Turn crankshaft two full turns. Check alignment marks. If any mark is not aligned, remove timing belt and reset timing.
6. Loosen tension pulley retaining bolt to allow tension spring to tighten belt.
7. Tighten tension pulley retaining bolt to 37-52 N·m (28-38 lb-ft). Rotate engine two full turns. Ensure timing marks are aligned.
8. Measure timing belt tension between camshaft pulleys. Belt deflection should be 8.5-11.5 mm (0.34-0.45 inch). If incorrect, loosen tension pulley and repeat procedure. If proper tension cannot be achieved, replace tension spring.



A13184-B

9. Install lower, center and upper timing belt covers. Tighten retaining bolts to 8-11 N·m (71-97 lb-in).
10. Install RH engine mount and lower engine. Tighten retaining nuts to 60-85 N·m (45-62 lb-ft).
11. Install crankshaft pulley, damper and baffle. Tighten baffle and damper retaining screws to 12-17 N·m (10-12 lb-ft). Tighten pulley retaining bolts to 12-17 N·m (10-12 lb-ft).
12. Install water pump pulley. Tighten retaining bolts to 8-11 N·m (71-97 lb-in).
13. Install generator and power steering belts. Refer to Section 03-05.
14. Install oil dipstick.
15. Raise vehicle.
16. Install splash guard and right front wheel and tire assembly. Tighten wheel lug nuts to 90-120 N·m (67-88 lb-ft).
17. Lower vehicle. Install spark plugs. Start engine. Check for proper operation.

Camshaft**Removal**

1. Disconnect battery ground terminal.
2. Disconnect idle air control hoses and remove intake air tube.
3. Disconnect throttle cable and remove retaining brackets.
4. Remove cylinder head cover.
5. Remove timing belt, as outlined.