

**CAPRI 1991-94**

**SPECIAL CAUTIONS**

**AIR BAG**

Refer to Special Caution in General Information Section of the Procedure Pages.

**PAINT CODE LOCATION**

Paint code located on rear face of left front door or on left lock pillar.

**CLEAR COAT IDENTIFICATION**

All metallic colors are clear coat.

**INFORMATION LABELS**

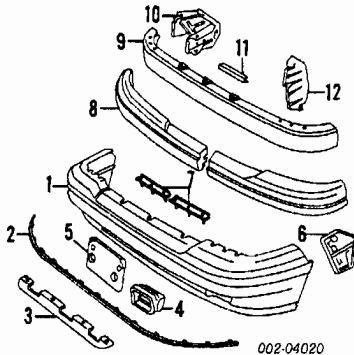
Labels must be special ordered from dealer by vehicle name, serial number and application.

**FRONT BUMPER**

Use Procedure Explanations 1 and 28 with the following text.

Refinish Bumper Cover .....	2.0
Refinish Opening Cover .....	.3
R&I Bumper Assy .....	.9
O/H Bumper Assy (Includes R&I) .....	1.8
Add to O/H Bumper Assy w/Fog Lamps .....	.4

NOTE: All Parts in this section are included in overhaul unless noted otherwise.



002-04020

1 Cover, Bumper (P) 91-93 E9JY 17D957 A	#1.8	214.60
94 F4JY 17D957 A	#1.8	214.60
(P) Paint to Match		
#w/Fog Lamps Add .4		
2 Pad, Horizontal FOJY 17C829 A	.3	15.15
3 Seal, Rad Air Deflector w/Turbo E8DZ 8349 A	.2	15.23
w/o Turbo FOJY 8349 A	.2	15.23
4 Cover, Bumper Opening w/o Fog Lamps R FOJY 17E810 B	.2	20.33
L FOJY 17E811 D	.2	20.33
#Gray listed, Order by Application		
5 Bracket, License E9JY 17A385 A	.2	20.30
6 Reinf, Front Valance E9JY 17C861 A-B	IOH	15.62
7 Reinf, Bumper Cover (2) FOJY 17E814 B	IOH	17.72
8 Support, Bumper Cover 91-93 E9JY 17C947 A-B	IOH	53.10
94 F4JY 17C947 A-B	IOH	50.57
9 Face Bar E9JY 17A792 A	IOH	214.60
10 Absorber, Impact 91-93 R E9JY 17754 A	IOH	110.78
L E9JY 17755 A	IOH	104.10
94 R F4JY 17754 A	IOH	110.78
L E9JY 17755 A	IOH	104.10
11 Bracket, Front Bar F2JY 17612 A-B	IOH	9.10
12 Deflector, Stone E9JY 17779 C-B	.3	57.02
Bracket, Tow Hook R FOJY 17N815 B	#.2	75.87
L FOJY 17N865 B	#.2	67.28

#Not included in O/H

**FRONT LAMPS**

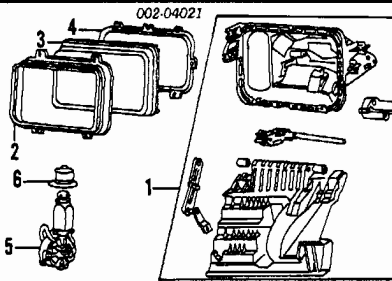
**HEADLAMP**

R&I/R&R or O/H Does Not Include	.4
Aim Lamps .....	.5
Refinish Headlamp Cover .....	.7
O/H Lamp/Motor Assy (Includes R&I) .....	1.0

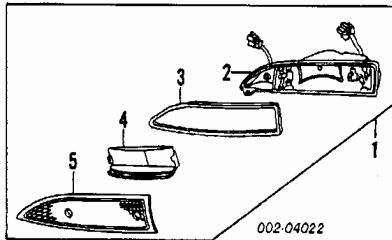
NOTE: All Parts in this section are included in overhaul unless noted otherwise.

Illustration Located in Next Column

1 Hinge Assy, Headlamp FOJY 13A154-5 A	.9	166.63
2 Ring, Retaining E9JY 13015 A	.3	24.57
3 Bulb, Headlamp To 7-90 E9JY 13007 A	.3	43.33
From 7-90 FOJY 13007 A	.3	43.33



**PARKLAMP**

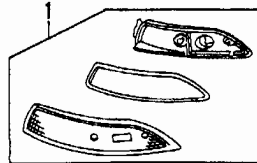


002-04022

1 Parklamp Assy 91-93 F2JY 13200-1 A	.2	57.18
94 F4JY 13200-1 A	.2	57.18
2 Housing, Parklamp 91-93 E9JY 13206-7 A	49.55	
94 F4JY 13206-7 A	49.55	
3 Gasket, Lens E9JY 13211 A	3.14	
4 Lens, Inner E9JY 13A202-3 A	13.38	
5 Lens, Outer 91-93 E9JY 13208-9 A	.2	51.07
94 F4JY 13208-9 A	.2	51.07
Bulb E7ZZ 13466 A	.2	1.57

#Included w/Lamp Assy

**SIDE MARKER LAMP**

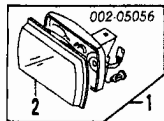


002-04023

1 Lamp Assy 91-93 E9JY 15A201 A-B	.2	40.95
94 F4JY 15A201 A-B	.2	48.72
Bulb E9JY 13466 A	5.35	

#Included w/Lamp Assy

**FOG LAMP**



002-05056

1 Lamp Assy 91-93 E9JY 15200 A	#.3	132.90
94 F4JY 15200 A	#.3	132.90
#Included in O/H Front Bumper Assy		
2 Lens, Lamp E9JY 15L203 A	.2	75.63
Bulb D9ZZ 13466 A	16.14	

#Included w/Lamp Assy

**HOOD**

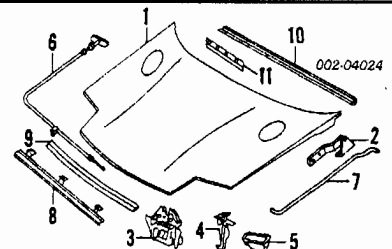
Use Procedure Explanations 4 and 28 with the following text.

Refinish Hood Outside .....	2.6
Add for Underside .....	1.2
Refinish Hinge .....	.2
R&I Hood Assy .....	.5
R&I Lwr Hood Mldg .....	.2

Illustration Located in Next Column

1 Panel, Hood E9JY 16612 A	1.1	441.07
2 Hinge 91-93 E9JY 16796-7 A	#.2	30.68
94 F4JY 16796-7 A	#.2	30.68

#w/Hood Removed



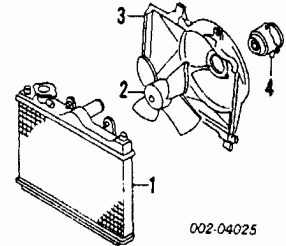
002-04024

3 Latch E9JY 16700 A	.4	26.40
4 Catch E9JY 16892 A	.2	10.92
5 Plate, Catch E9JY 16918 A	.3	4.13
6 Cable w/Handle 91-93 E9JY 16916 A	.7	22.87
94 F4JY 16916 A	.7	22.87
7 Rod, Support E9JY 16826 A	.1	13.45
8 Moulding, Lower Hood E9JY 8419 A	.2	18.17
9 Seal, Rad Supt to Hood E7GZ 16A238 A		19.42
10 Pad, Hood E7GZ 16740 A	.2	11.58
11 Seal, Hood Side Rear (2) E9JY 168922 A		5.28
Nameplate "Mercury" 91-93 E9JY 7642528 E	.2	8.02
94 F4JY 7642528 D		8.02

**COOLING**

Use Procedure Explanations 5 and 28 with the following text.

R&R Radiator Hose w/Radiator Removed	
One .....	.1
All .....	.2



002-04025

1 Radiator Man Trans w/Turbo 91-93 FOJY 8005 C	1.1	296.25
94 F4JY 8005 A	1.1	296.25
w/o Turbo FOJY 8005 A	1.0	302.29
Auto Trans FOJY 8005 B	1.1	318.05
Cap, Radiator E8BZ 8100 B		19.57
Tank, Coolant Recovery E7GZ 8A080 C	.3	36.28
2 Blade, Fan 1994 E9JY 8600 A	#.8	40.87
w/Turbo F4JY 8600 A	#.8	189.20
w/o Turbo E9JY 8600 A	#.8	40.87
3 Shroud, Fan 91-93 E9JY 8146 A	#.8	42.15
94 F4JY 8146 A	#.8	N.A.
4 Motor, Fan 1991-93 Man Trans FOJY 8K621 B	#.8	204.07
w/Turbo E9JY 8K621 A	#.8	190.25
w/o Turbo FOJY 8K621 B	#.8	204.07
1994 F4JY 8K621 A	#.8	189.45
#R&R Complete, w/Radiator Removed Deduct .5		
Hose, Rad Upper 91 E9JY 8260 B	#.5	17.26
92-94 FOJY 8260 B	#.5	17.26
Hose, Rad Lower 91 E9JY 8286 A	#.6	12.68
92-93 FOJY 8286 A	#.6	12.68
94 F4JY 8286 A	#.6	31.91
#R&R Upper & Lower .9		
Pump, Water E9JY 8501 B	m #3.8	91.73
#w/Air Cond Add .4		

**A/C REFRIGERANT CAPACITIES**

A/C R-12 Refrigerant Capacity  
1991-92: 22.5 Ozs (1.4 Lbs)  
1993: 24.8-26.6 Ozs (1.55-1.66 Lbs)  
A/C R-134 Refrigerant Capacity  
1994: 19.4-21.2 Ozs (1.21-1.40 Lbs)

**AIR CONDITIONING/HEATER**

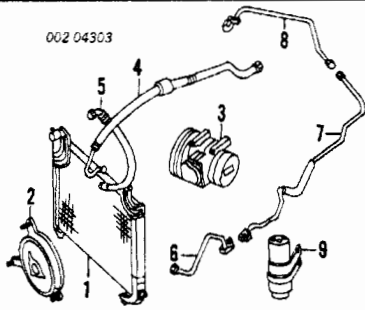
Use Procedure Explanation 6 with the following text.

R&R Does Not Include	
Evacuate & Recharge System .....	m 1.4
Refrigerant Recovery .....	m .3

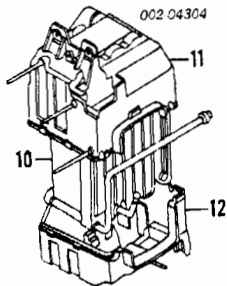
Illustration Located in Next Column

1 Condenser 91-93 E9JY 19712 A	m #.8	691.81
94 F4JY 19712 B	m #.8	691.81

#Includes R&R Cooling Fan, w/Radiator Removed Deduct .5

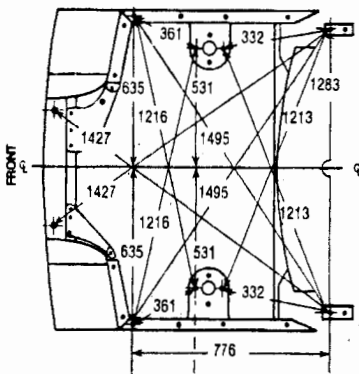


2 Fan, Condenser Cooling	91-93	E9JY 19A805 A	.6	388.25
	94	F4JY 19A805 B	.6	337.61
3 Compressor Assy	91-93	E9JY 19703 A	m 1.3	760.71
	94	F4JY 19703 A	m 1.3	760.71
Clutch Assy	91-93	E9JY 19D786 A	m 1.8	553.10
	94	F4JY 19D784 A	m 1.8	151.79
‡Included w/Compressor Assy				
<b>Hose, Liquid</b>				
4 To Evaporator	91-93	F2JY 19835 B	m .6	120.98
	94	F4JY 19835 B	m .6	154.96
5 To Condenser		F2JY 19835 D	m .6	110.40
<b>Hose, Discharge</b>				
6 Condenser to Drier	91-93	FOJY 19972 A	m .6	126.46
	94	F4JY 19972 A	m .6	44.77
7 Drier to Evaporator	91-93	FOJY 19972 B	m .6	79.77
	94	F4JY 19972 B	m .6	65.29
8 Evaporator to Drier	91-93	F2JY 19972 C	m .6	102.19
	94	F4JY 19972 C	m .6	145.75
<b>9 Drier Assy</b>				
	1991-93	E9JY 19959 A	m .5	114.06
	To 2-90	FOJY 19959 A	m .5	114.06
	From 2-90	FOJY 19959 A	m .5	114.06
	1994	F4JY 19959 A	m .5	114.06
<b>Belt, Drive-See Steering Pump Section</b>				



10 Core, Evaporator	91-93	E9JY 19860 A	m 2.0	430.44
	94	F4JY 19860 A	m 2.0	N.A.
11 Case, Evaporator Upper	91-93	E9JY 19C974 A	m	69.07
	94	F4JY 19C974 A	m	69.07
12 Case, Evaporator Lower	91-93	E9JY 19897 A	m	84.87
	94	F4JY 19897 D	m	84.87
Motor, Blower		E9JY 18527 A	m 1.3	212.14
Core, Heater		E9JY 18476 A	m 3.4	104.30
Case Assy, Heater Core	R	E9JY 18A542 A	m	28.45
	L	E9JY 18A542 B	m	33.12

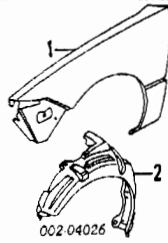
**UNDERHOOD DIMENSIONS**



**FRONT FENDER**

Use Procedure Explanations 7 and 28 with the following text.

Refinish Fender Outside	2.0
Add to Edge Fender	.5
Refinish Side Moulding	.3
R&I Fender Assy	#2.0
‡Includes R&I Front Bumper Assy & R&I/R&R Side Marker Lamp, R&I Both Fenders 3.0	



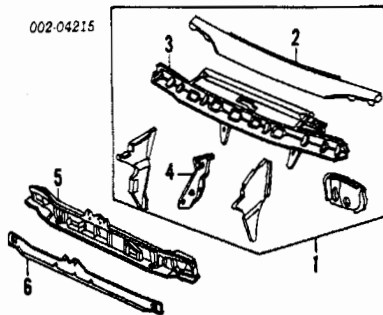
1 Fender	R	E9JY 16005 A	#2.2	149.67
	L	E9JY 16006 A	#2.2	149.67
‡Includes R&I Front Bumper Assy, R&I/R&R Side Marker Lamp & Splash Shield, R&R Both Fenders 3.5				
2 Shield, Splash	R	F2JY 16102 A	#.4	50.03
	L	F2JY 16103 B	#.4	47.53
‡Included in R&R Fender				
Tray, Battery		E7GZ 10732 B	#.5	10.83
‡Includes R&R Battery				
Hold Down, Battery		E7GZ 10718 B		12.77
Battery		N.A.	.2	N.A.
Cable, Pos-Serviced w/Eng Wiring Assy				
Cable, Neg-Serviced w/Eng Wiring Assy				
Moulding, Side				
	1991-93	E9JY 16003-4 A	.2	9.15
	1994 (P)	F4JY 16003-4 A	.2	29.70
(P) Paint to Match				
Guard, Splash		E9JY 16A550 A-B	.2	5.33
Control Assy, Headlamp		FOJY 16654 A	m .3	N.A.
Antenna		E9JY 18813 A	.7	32.07

**FRONT INNER STRUCTURE**

Use Procedure Explanations 8 and 28 with the following text.

**FRONT**

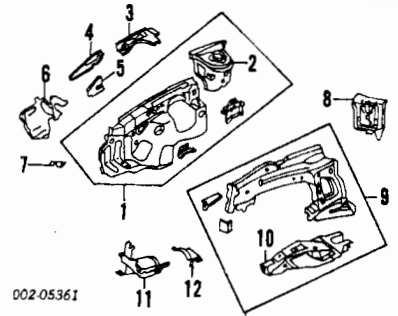
Refinish Radiator Support Complete	2.8
Header Panel	1.8
Front Crossmember	.5
Add to R&R Radiator Support	
w/ A/C	m #.4
‡To R&R Condenser & Receiver/Drier	
w/Turbo	m #.3
‡To R&R Cooler Assy	
To Aim Lamps	.4
Evacuate & Recharge System	m 1.4
Refrigerant Recovery	m .3



1 Support, Radiator	91-93	FOJY 16138 A	s #7.0	332.95
	94	F4JY 16138 A	s #7.0	317.10
‡Includes R&R Latch, Catch Plate, Washer Reservoir, Horn Assy, Air Cleaner Assy, Coolant Tank, Radiator, Battery & Tray, Air Bag Sensors, Headlamp Motors, R&I Headlamp Assemblies, Disconnect/Reconnect Wiring Harness & Latch Cable				
2 Panel, Header		E9JY 7610672 A	#6.2	142.33
‡Includes R&I Front Bumper, Both Fenders & R&R Both Side Marker Lamps				
3 Reinf, Apron Upper	91-93	FOJY 16154 A	s	40.57
	94	F4JY 16154 A	s	40.57
Support, Fender/Rad		FOJY 16154 B	s	40.57
4 Brace, Hood Latch Supt	91-93	E9JY 16747 A		13.95
	94	F4JY 16747 A		13.95
‡Included w/Radiator Support				
Sensor, Air Bag		FOJY 14B006 Am	.5	141.17
5 Crossmember, Front		F4JY 7610852 A	s 2.0	99.32
6 Reinf, Support Upper		E9JY 16139 A	s	N.A.
Ornament, Header Panel		E9JY 8213 A	.2	11.98

**SIDE**

Refinish Apron	2.0
w/Front Sidemember	1.0
Apron	.5
Front Susp Housing	.3
Apron Reinforcement	1.0
Front Sidemember	1.0
Refinish Front Lamp Opening Reinf	
Right	.5
Left	.5

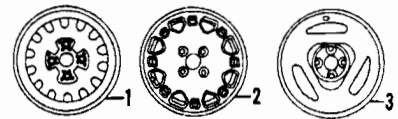


1 Apron Assy w/Front Sidemember	1991-93	R	FOJY 16054 C	s #8.5	416.67
		L	FOJY 16055 C	s #8.5	416.67
	1994	R	FOJY 16054 C	s #8.5	416.67
		L	F4JY 16055 A	s #8.5	88.77
w/o Front Sidemember		R	FOJY 16054 B	s #9.5	263.10
		L	FOJY 16055 B	s #9.5	263.10
‡w/Radiator Support Removed Deduct 1.0					
2 Housing, Front Susp		FOJY 3438-9 A	s 3.0	71.73	
‡Included w/Apron Assy					
3 Reinf, Apron		E9JY 16A244-5 A	s #1.0	21.43	
4 Reinf, Apron Outer Upper		E9JY 16A246-7 A	s #1.0	9.10	
‡R&R Both One Side 1.5					
5 Reinf, Apron Lower		E7GZ 16060 A-B	s	3.83	
6 Shield, Front Splash		E7GZ 16A266-7 B	.2	24.33	
7 Bracket, Radiator Supt		E9JY 16D024 A		7.57	
8 Reinf, Front Lamp Opening					
Right		FOJY 16130 A	s	31.27	
Left		FOJY 16131 A	s	22.35	
Sensor, Air Bag		FOJY 14B004-5 Am	#.5	95.77	
‡R&R Both .7					
<b>9 Sidemember, Front</b>					
	1991-93	R	E9JY 7610008 B	s 7.5	311.00
	To 11-90	L	FOJY 7610009 A	s 7.5	311.00
		R	FOJY 7610008 B	s 7.5	311.00
		L	FOJY 7610009 A	s 7.5	311.00
	1994	R	F4JY 7610008 A	s 7.5	311.00
		L	F4JY 7610009 A	s 7.5	N.A.
10 Member, Front		R	E9JY 7610462 A	s	121.00
		L	E9JY 7610463 A	s	88.18
‡Included w/Frt Sidemember					
11 Shield, Eng		R	E9JY 6775 A	#.3	16.93
		L	E9JY 6776 A	#.3	28.97
12 Shield, Eng Center			E9JY 6775 B	#.3	26.57
‡R&R All .4					

**WHEEL**

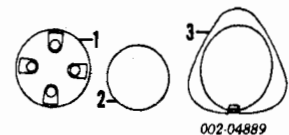
Use Procedure Explanation 10 with the following text.

Refinish Wheel	.5
----------------	----



1 Wheel, Styled Steel	E9JY 1007 A	.3	97.47
Wheel, Aluminum			
2 Geometric	E9JY 1007 B	.3	287.80
3 3 Hole	F2JY 1007 A	.3	287.80
4 5 Spoke	F4JY 1007 B	.3	236.55
5 7 Hole	F4JY 1007 A	.3	236.55

**HUB CAP/WHEEL COVER**



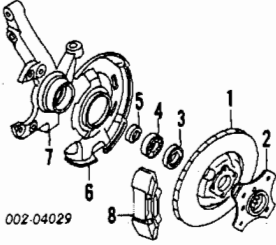
<b>Cover, Wheel</b>			
Aluminum Wheel Center Cover			
1 15x6.0	E9JY 1130 A		17.88
2 14x5.5	E9JY 1130 C		3.77
3 15x6.0	F2JY 1130 A		27.47

**FRONT SUSPENSION**

Use Procedure Explanation 11 with the following text.

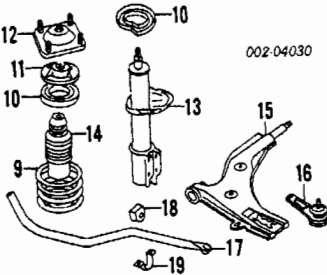
R&R/R&R or O/H Does Not Include Alignment or Bleed Brake System.  
 R&I Suspension (One Side)..... m 1.5  
 O/H Suspension (Includes R&I)  
 One Side..... m 2.9  
 Both Sides..... m 5.3  
 Adjust Four Wheel Alignment ..... m 1.9  
 Bleed Brake System ..... m .3  
**NOTE 1: Manufacturer recommends adjusting rear suspension before adjusting front suspension.**

**NOTE 2: All Parts in this section are included in overhaul unless noted otherwise.**



<b>1 Rotor, Brake</b>	FOJY 1125 A	m	#1.6	65.09
w/Turbo	E7GZ 1125 B	m	#1.6	68.78
w/o Turbo	E7GZ 1104 A	m	#1.6	71.58
<b>2 Hub, Rotor</b>				
<b>3 Seal, Grease</b>				
Inner	E7GZ 1177 A	m	#1.6	3.92
Outer	E7GZ 1177 B	m	#1.6	3.92
<b>4 Bearing, Wheel</b>	E7GZ 1216 B	m	#1.6	21.25
<b>5 Washer, Wheel</b>	E7GZ 1195 B	m	#1.6	3.42
<i>Order by Application</i>				
<b>6 Shield, Splash</b>	FOJY 2K004-5 Am	#1.6	13.63	
<i>#R&amp;R One Side Complete, R&amp;R Both Sides 3.0</i>				
<b>7 Knuckle</b>				
w/Turbo	E9JY 3K185-6 A	m	#1.6	105.02
w/o Turbo	E7GZ 3K185-6 Am	#1.6	106.58	
<i>#Includes R&amp;R Rotor, Hub, Bearing &amp; Splash Shield</i>				
<b>8 Calliper, Brake</b>	R FOJY 2B120 A	m	#.5	209.58
	L FOJY 2B121 A	m	#.5	220.06

*#w/Rotor Removed Deduct .4*

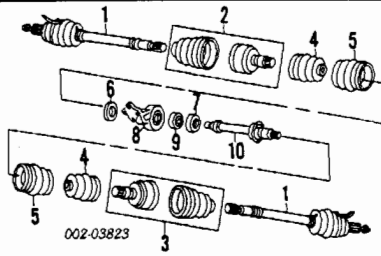


<b>9 Spring</b>				
1991-93	E9JY 5310 A	m	#1.6	39.87
1994	F4JY 5310 A	m	#1.6	N.A.
w/Turbo	E9JY 5310 A	m	#1.6	39.87
w/o Turbo	F4JY 5310 A	m	#1.6	39.87
<b>10 Insulator, Spring</b>				
Upper	E7GZ 5415 A	m	#1.6	5.42
Lower	E7GZ 5414 A	m	#1.6	3.58
<b>11 Bushing, Shock</b>	E7GZ 18198 A-Bm	#1.6	1.75	
<b>12 Bracket, Shock Mtg</b>	E9JY 18183 A	m	#1.6	41.45
<b>13 Absorber, Shock</b>	91-93 E9JY 18124 F-Em	#1.6	109.38	
	94 F4JY 18124 B-Am	#1.6	115.94	
<b>14 Boot, Shock</b>	E7GZ 18A085 Am	#1.6	13.00	
<i>#R&amp;R One Side Complete, R&amp;R Both Sides 2.6, w/Knuckle Removed Deduct 1.1</i>				
<b>15 Arm, Lower Control</b>	E7GZ 3078-9 B	m	#2.3	135.65
<i>#w/Knuckle Removed Deduct 1.9</i>				
<b>16 Joint, Lower Arm</b>	E7GZ 3050 A	m	#1.0	36.67
<i>#Included in R&amp;R Lower Control Arm</i>				
<b>17 Bar, Front Stabilizer</b>				
w/Turbo	91-93 FOJY 5482 A	m	#1.3	112.17
	94 F4JY 5482 A	m	#1.3	112.17
w/o Turbo	E9JY 5482 A	m	#1.3	226.13
<b>18 Bushing, Stabilizer</b>	91-93 E9GY 5493 A	m	#1.3	5.72
	94 F4JY 5493 A	m	#1.3	4.35
<b>19 Bracket, Stabilizer</b>	E7GZ 5486 B	m	#1.3	2.50
<i>#R&amp;R Complete, Not Included in O/H, Deduct .1 for Each Lower Arm Removed</i>				

**FRONT DRIVE AXLE**

R&I Axle Shaft Assy (One Side).....	m 1.1
O/H Axle Shaft Assy (Includes R&I).....	m 1.7

**NOTE: All Parts in this section are included in overhaul unless noted otherwise.**



<b>1 Shaft &amp; Joint Assy</b>				
Man Trans	E9JY 3B436 A	m	1.4	406.77
w/Turbo	R E7GZ 3B436 C	m	1.4	292.96
w/o Turbo	L E7GZ 3B437 C	m	1.4	243.68
Auto Trans	R E7GZ 3B436 D	m	1.4	280.45
	L E7GZ 3B437 D	m	1.4	232.72
<i>#Assembly Includes Outer Joint Shaft, Boot, Clamps &amp; Circlips</i>				

<b>2 Joint Assy, Right</b>				
Man Trans	E9JY 3B414 A	m	#.3	223.28
w/Turbo	E7GZ 3B414 C	m	#.3	230.11
w/o Turbo	E7GZ 3B414 D	m	#.3	237.00
Auto Trans				

<b>3 Joint Assy, Left</b>				
Man Trans	E9JY 3B414 B	m	#.3	216.57
w/Turbo	E7GZ 3B414 A	m	#.3	188.58
w/o Turbo	E7GZ 3B414 D	m	#.3	237.00
Auto Trans				

<b>4 Boot, Outer Joint</b>				
Man Trans	E9JY 3A331 A	m	#.3	56.04
w/Turbo	R E7GZ 3A331 G	m	#.3	68.81
w/o Turbo	L E7GZ 3A331 L	m	#.3	68.81
Auto Trans	R E7GZ 3A331 K	m	#.3	42.13
	L E7GZ 3A331 M	m	#.3	72.57

<b>5 Boot, Inner Joint</b>				
Man Trans	E9JY 3A331 B	m	#.3	46.53
w/Turbo	E7GZ 3A331 J	m	#.3	56.13
w/o Turbo	E7GZ 3A331 K	m	#.3	42.13
Auto Trans				

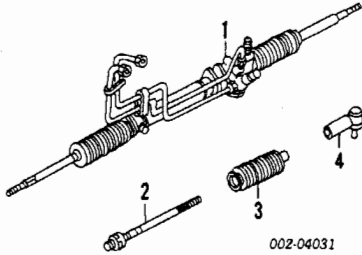
<b>6 Seal, Dust Outer</b>	E9JY 3C084 A	m	#1.5	4.33
w/Turbo	E9JY 3C084 B	m	#1.5	4.97
<b>7 Seal, Dust Inner</b>				
w/Turbo	E9JY 3K090 A	m	#1.5	88.62
w/o Turbo	E9Z2 3K093 A	m	#1.5	22.00

<b>8 Bracket, Bearing</b>				
w/Turbo	E9JY 3K090 A	m	#1.5	88.62
w/o Turbo	E9Z2 3K093 A	m	#1.5	22.00
<b>9 Bearing, Axle</b>				
w/Turbo	E9Z2 3K093 A	m	#1.5	22.00
w/o Turbo	E9Z2 3K093 A	m	#1.5	22.00
<b>10 Shaft, Axle</b>	E9JY 3A329 B	m	#1.5	115.27
Man Trans (w/Turbo)				
<i>#R&amp;R Complete, Includes R&amp;I Right Axle Shaft Assy, Not Included in O/H</i>				

**FRONT STEERING LINKAGE/GEAR**

R&R/R&I or O/H Does Not Include	
Adjust Toe-In.....	m .6
R&I Steering Gear.....	m 2.8
O/H Steering Gear (Includes R&I).....	m #5.2
<i>#Includes Bleed System</i>	

**NOTE: All Parts in this section are included in overhaul unless noted otherwise.**



<b>1 Gear Assy</b>	E7GZ 3504 B	m	#3.8	774.75
<i>#Includes R&amp;R Connecting Rod Ends &amp; Bleed System</i>				
<b>Shaft, Sector</b>	E7GZ 3575 B	m		195.58
<b>Insulator, Gear</b>				
Housing End	E7GZ 3C716 C	m	.6	7.00
Support End	E7GZ 3C716 D	m	.6	7.00
<b>Bracket, Gear Mounting</b>				
Housing End				
Man Trans	FOJY 3E552 A	m		11.80
Auto Trans	E7GZ 3E552 D	m		7.75
Support End	E7GZ 3E552 C	m		7.75
<b>2 Rod, Connecting</b>	E7GZ 3280 A-B	m	#.9	50.50
<i>#Includes R&amp;R Dust Boot &amp; Connecting Rod End, Time Does Not Include R&amp;I Rack Assy</i>				
<b>3 Boot, Dust</b>	E7GZ 3332 B	m	#.3	22.08
<i>#Includes R&amp;R End</i>				
<b>4 End, Connecting Rod</b>	E7GZ 3A130 A	m	.2	41.50

**STEERING PUMP**

<b>Pump Assy</b>	E9JY 3A674 A	m	#1.6	523.00
<i>#To Bleed System Add .4</i>				
<b>Reservoir</b>	E7GZ 3A697 A	m		104.17
<b>Pulley</b>	E7GZ 3A733 B	m	#.5	67.00
<i>#Included in R&amp;R Pump Assy</i>				

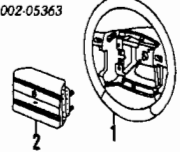
<b>Belt, Drive</b>	E8GY 8620 D	.5	35.15
w/Air Cond	E7GZ 8620 A	.5	26.47
w/o Air Cond	E7GZ 3A719 A	m	#.7 63.08
<b>Hose, Pressure</b>	E7GZ 3A713 C	m	#.4 9.38
<b>Hose, Return</b>			
<i>#To Bleed System Add .4</i>			

**STEERING WHEEL/COLUMN**

**NOTE: Refer to Supplemental Restraint and Air Bag Systems Cautions of the Procedure Pages.**

**WHEEL & TRIM**

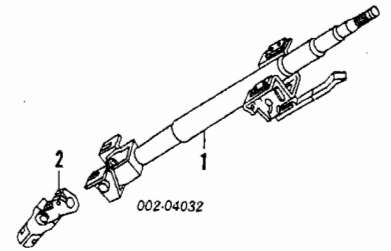
002-05363



<b>1 Wheel, Steering</b>	FOJY 3600 B	m	.8	631.95
w/Cruise Control	FOJY 3600 A	m	.8	373.35
w/o Cruise Control	91-93 F2JY 76043B13 Am	#.5	579.44	
<b>2 Module, Air Bag</b>	94 F4JY 76043B13 Am	#.5	579.44	
<i>#Included in R&amp;R Steering Wheel</i>				
<b>Clockspring</b>	91-92 F2ZZ 14A664 B	m	#1.1	74.03
	93-94 F3ZZ 14A664 A	m	#1.1	74.03
<i>#Includes R&amp;I/R&amp;R Steering Wheel</i>				

**COLUMN**

R&I Steering Column.....	m 1.3
--------------------------	-------



<b>1 Shaft Assy</b>	FOJY 3524 B	m	1.6	384.38
To 8-91	F2JY 3524 A	m	1.6	481.13
From 8-91	E7GZ 3B676 A	m	#.4	53.33
<b>2 Shaft, Lower</b>				
<i>#w/Steering Column Assy Removed</i>				
<b>Switch, Turn Signal</b>				
w/Cruise Control	E8GY 13K359 C	m	.9	188.09
w/o Cruise Control	E7GZ 13K359 F	m	.9	147.09
<b>Cylinder &amp; Key, Ignition</b>	FOJY 7622050 A	m	#.9	48.07
<i>#Includes Ignition &amp; Door Cylinders</i>				
<i>#Time is to R&amp;R Undamaged Ignition Cylinder Only</i>				
<b>Switch, Ignition</b>	F29Z 11572 D	m	.3	19.20
<b>Support, Steering Column</b>	FOJY 3B718 A	m		103.25

**ENGINE**

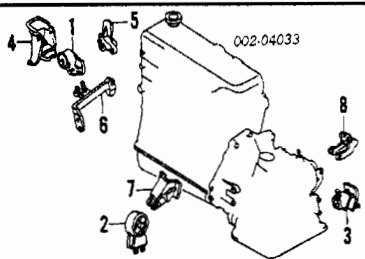
Use Procedure Explanation 12 with the following text.

<b>R&amp;I Engine Assy</b>				
Add to R&I Engine Assy				m 7.0
w/Air Cond				m .2
w/Turbo				m .7
<b>Pulley, Crankshaft</b>				
To 10-1-91	E8GZ 6312 A	m	#1.0	69.25
From 10-1-91	F1JY 6312 A	m	#1.0	82.67
<i>#w/Air Cond Add .1</i>				
<b>Cover, Timing</b>				
Outer Upper	E9JY 6019 A	m	.6	35.33
Outer Lower	F3CZ 6019 A	m	1.0	27.33
Center Lower	F1CZ 6019 B	m	.8	31.42
Inner	E9JY 6019 D	m		21.42
<b>Pan, Oil</b>				
w/Turbo	E9JY 6675 A	m	1.8	205.08
w/o Turbo	FOJY 6675 A	m	1.8	76.92
<b>Gasket, Oil Pan</b>				
w/Turbo				
Oil Pan (Sealant)	F1AZ 19562 A	m		15.65
Front Seal	E9JY 6722 A	m		8.58
Rear Seal	FOJY 6723 A	m		8.58
w/o Turbo	E7GZ 6710 A	m		17.58
<b>Pump, Fuel</b>	F1JY 9350 A	m	.7	319.60

**ENGINE/TRANS MOUNTS**

Illustration Located in Next Column

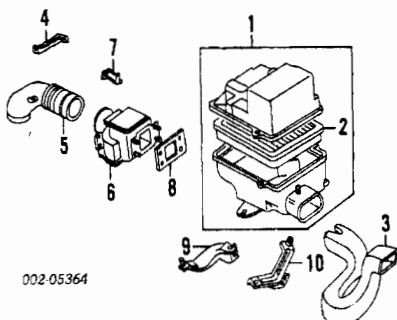
<b>1 Mount, Eng Right Front</b>	F1JY 6038 A	.7	68.83
<b>2 Mount, Eng Left Front</b>			
Man Trans	91-93 E9JY 6038 A	.7	85.40
	94 F4JY 6038 A	.7	38.60
Auto Trans	E7GZ 6038 C	.7	38.25



3 Mount, Eng Rear Man Trans Auto Trans	E9JY 6068 A F1JY 6068 A	.7 .7	34.42 45.25
4 Bracket, Eng Mount #w/Mount Removed	E9JY 6028 A	#.2	36.25
5 Bracket, Front Mount w/Turbo w/o Turbo	E9JY 6030 A E7GZ 6030 A		31.00 27.75
6 Support Assy, Eng Man Trans (w/Turbo)	E9JY 6F065 A	.7	104.83
7 Bracket, Front Mount	E7GZ 6031 C	#.2	7.67
8 Bracket, Mount Rear w/Turbo w/o Turbo	E9JY 6E042 A E7GZ 6E042 B	#.2 #.2	12.75 13.58

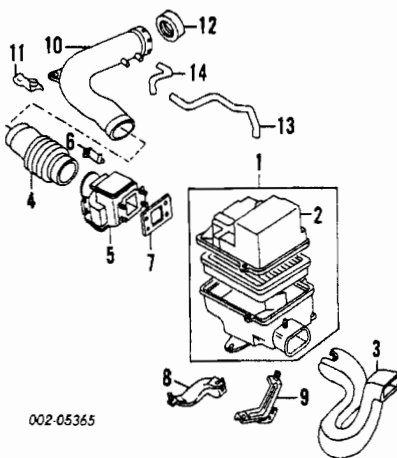
**AIR CLEANER**

**W/TURBO**



1 Cleaner Assy, Air	E9JY 9600 B	m .5	201.68
2 Element, Air Cleaner Included w/Air Cleaner Assy	E8GY 9601 A	#.2	21.11
3 Tube, Intake Included in R&R Air Cleaner Assy	FOJY 9A624 A	#.3	16.60
4 Brkt, Intake Tube	FOJY 9C685 B		4.02
5 Tube, Outlet	E9JY 9B659 B	.4	80.47
6 Sensor, Air Control	E9JY 12B529 A	m 1.0	756.55
7 Brkt, Sensor	E8JY 9F713 A		N.A.
8 Gasket, Air Cleaner	FOJY 9673 B	m	3.46
9 Bracket, Air Cleaner	FOJY 9B609 A	#.2	15.53
10 Bracket, Air Cleaner R&R Complete w/Air Cleaner Assy Removed	FOJY 9647 A	#.2	15.15

**W/O TURBO**



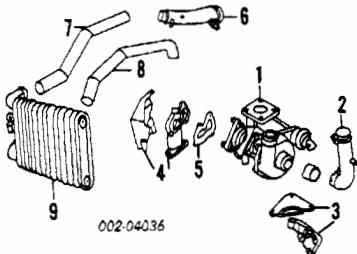
1 Cleaner Assy, Air	E9JY 9600 A	m .5	201.68
2 Element, Air Cleaner Included w/Air Cleaner Assy	E8GY 9601 A	#.2	21.11
3 Tube, Intake Included in R&R Air Cleaner Assy	FOJY 9A624 A	#.3	16.60
4 Tube, Outlet	FOJY 9B659 A	.4	21.38
5 Sensor, Air Control	E8GY 12B529 Am	1.0	705.34
6 Brkt, Sensor	E8GY 9F713 A		2.42
7 Gasket, Air Cleaner	FOJY 9673 B	m	3.46
8 Bracket, Air Cleaner	FOJY 9B609 A	#.2	15.53
9 Bracket, Air Cleaner R&R Complete w/Air Cleaner Assy Removed	FOJY 9647 A	#.2	15.15

10 Tube Assy, Intake Outer	FOJY 9C675 A	.3	32.58
11 Brkt, Intake Tube	FOJY 9C685 C		14.12
12 Gasket, Tube	FOBZ 9D634 A		3.88
13 Hose, Inlet	E8GY 9F287 C		13.42
14 Hose, Air Control	E9JY 9F287 A		4.67

**EXHAUST**

Manifold, Exhaust w/Turbo w/o Turbo	E9JY 9430 A FOJY 9430 A	m 2.6 m 2.6	190.75 183.72
Pipe, Front w/Turbo w/o Turbo	E9JY 5246 A E7GZ 5246 A	.5 .5	158.92 144.25
Converter, Catalytic w/Turbo w/o Turbo	E9JY 5E212 B E9JY 5E212 A	1.0 1.0	341.67 341.67
Muffler w/Pipe w/Turbo w/o Turbo	FOJY 5230 B FOJY 5230 A	1.0 1.0	302.80 338.77
Pipe, Outlet	E9JY 5255 A	.8	45.70
Extension, Chrome	E9JY 5255 C	.2	26.30

**TURBOCHARGER/INTERCOOLER**



1 Turbocharger Assy	E9JY 9G438 A	m 2.8	1326.25
2 Pipe, Air Inlet	E9JY 9K640 A	m .3	16.18
3 Bracket, Turbo	E9JY 9G479 A	m	39.17
4 Shield, Heat Pipe Turbo	E9JY 9A462 A FOJY 9G437 A	m m	25.25 95.89
5 Gasket, Turbo to Shield	E9JY 9450 B	m	27.33
6 Tube, Air Cleaner Intake	FOJY 9B697 A	m .2	24.42
7 Tube, Air Intake	E9JY 6W650 A	m .2	59.03
8 Tube, Cooler to Turbo	E9JY 6N802 A	m .3	58.85
9 Cooler Assy #w/Front Bumper Assy Removed	E9JY 6K775 A	m #.4	681.47

**EMISSION SYSTEM**

Valve, Air By-Pass	E9JY 9B289 A	m 1.3	128.34
Valve, EGR	FOZZ 9F482 A	m .8	21.23
Canister, Vapor	FOJY 9D653 A	m #.5	98.55
Bracket, Canister R&R Complete	E8GY 9D665 A	m #.5	4.11

**ELECTRICAL**

**HORN**

Horn Assy High Note Low Note	E8GY 13832 A E9JY 13833 A	#.9 #.9	32.25 32.25
------------------------------------	------------------------------	------------	----------------

**IGNITION**

Cap, Distributor w/Turbo w/o Turbo	E9JY 12106 A FOJY 12106 A	m .5 m .5	39.95 29.16
Module, EEC w/Turbo w/o Turbo	FOJY 12A650 Am FOJY 12A650 A	m .9 m .9	1038.46 1038.46

**ALTERNATOR**

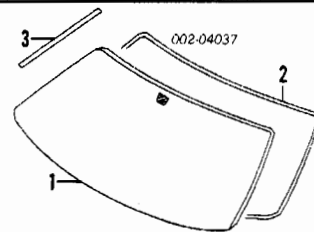
Alternator Assy To 12-90 From 12-90	E9JY 10346 A F2JY 10346 A	m 2.0 m 2.0	588.64 534.36
Pulley	FOJY 10344 A	m #.1	d25.65
Fan, Pulley	E9JY 10A310 A	m #.1	54.83
Belt, Drive Regulator, Voltage To 12-90 From 12-90	E9JY 8620 A E9JY 10316 A FOJY 10316 A	.5 m 2.3 m 2.3	10.30 97.61 100.82

**WINDSHIELD**

Use Procedure Explanation 13 with the following text.  
R&I Windshield ..... #3.9  
#Includes Clean Up Old Adhesive as Necessary

Illustration Located in Next Column

1 Glass, Windshield Ford-Tinted	91 E9JY 7603100 A 92-93 F2JY 7603100 A 94 F4JY 7603100 A	#3.5 #3.5 #3.5	805.24 805.24 805.24
------------------------------------	--	----------------------	----------------------------

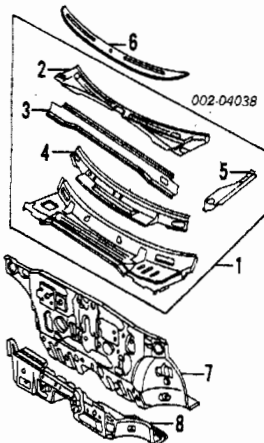


NAGS Green/Blue Shade	91 FW00604GBN 92-93 FW00721GBN 94 FW00748	#3.5 #3.5 #3.5	805.25 N.A. N.A.
#Includes Clean Up Old Adhesive as Necessary			
2 Retainer, Weatherstrip	E9JY 7603106 A		22.28
3 Retainer, Windshield Side Moulding, Reveal Upper Moulding, Reveal Side Mirror, Rear View	E9JY 7603262 A E9JY 7603144 A F2JY 7603136-7 A E9JY 17700 A	.4 .3 .2 91 .2 92-94 .2	30.05 17.28 43.40 84.40
Visor, Sun Right Left w/Turbo w/o Turbo	FOJY 7604104 AVP FOJY 7604105 AVP FOJY 7604105 CVP	.2 .2 .2	57.73 57.73 57.73
Blade, Wiper	E9JY 17528 A-B	.1	14.22
Arm, Wiper R L	FOJY 17526 A FOJY 17527 A	#.2 #.2	13.57 25.15
#Includes R&R Blade			
Motor, Wiper	E9JY 17508 A	.6	220.60
Reservoir, Washer #w/Front Bumper Assy Removed	E9JY 17618 A	#.2	22.53
Nozzle, Spray #Included in R&R Hood	E9JY 17603 A	#.2	9.58

**COWL & DASH**

Use Procedure Explanations 14 and 28 with the following text.

Refinish Cowl Grille		.5	
Refinish Cowl Top Panel Assy & Dash Panel Complete		1.6	
Refinish Cowl Top Panel Assy		1.0	
Refinish Dash Panel		1.0	



1 Panel Assy, Cowl Top	FOJY 7602010 A	6.5	481.45
2 Panel, Cowl Top Inner	E9JY 7602018 A	2.0	54.10
3 Reinf, Cowl Top Serviced Only w/Cowl Top Panel Assy	E9JY 76016B50 A E9JY 76022A48-9 A		56.67 12.25
4 Reinf, Dash 5 Reinf, Cowl Extension Included w/Cowl Top Panel Assy	E9JY 7602228 C	.3	67.77
6 Grille, Cowl (P) (P) Paint to Match	E9JY 7601610 A F4JY 7601610 A		332.45 332.45
7 Panel, Dash 94	E9JY 76016B26 B		264.95
8 Extension, Dash			
9 Pillar, Inner To 12-90 From 12-90	FOJY 76025A00-1 A FOJY 76025A00 A FOJY 76025A01 B		46.75 46.75 55.67

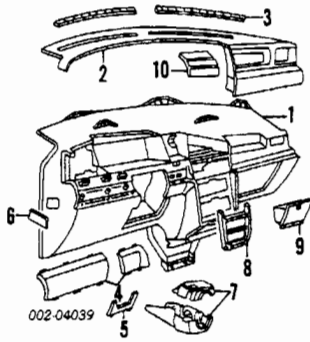
**INSTRUMENT PANEL**

Use Procedure Explanation 14 with the following text.  
R&I Instrument Panel Assy ..... m 3.5

NOTE: All Parts in this section are included in R&R Instrument Panel unless noted otherwise.

Illustration Located in Next Column

**INSTRUMENT PANEL Cont'd**

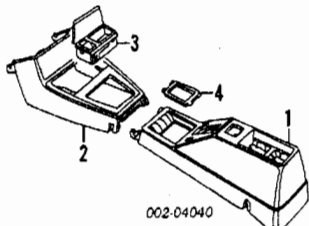


1 Panel, Instrument	91-93	E9JY 7604320 A	5.0	371.25
	94	F4JY 7604320 A	5.0	371.25
2 Pad, Panel Upper	91-93	E9JY 7604282 ANP	#.4	341.10
	94	F4JY 7604282 ATM	#.4	248.82
<b>#w/Instrument Panel Assy Removed</b>				
3 Grille, Defroster Opening		E9JY 76044E2 A-B		31.05
4 Panel, Finish				
1991-93	R	E9JY 7604338 C		27.25
	L	F4JY 7604338 A		27.25
1994		F4JY 7604338 A		27.25
5 Cover, Steering Column	91-93	FQJY 7604459 A		17.15
	94	F4JY 7604459 A		17.15
6 Cover, Control Opening				
1991-93		E9JY 76044F58 A		3.90
1994		F4JY 76044F58 G		5.28
<b>Order by Application</b>				
7 Shroud, Steering Column				
Upper		FQJY 3530 A	#.3	8.15
Lower		FQJY 3530 B	#.3	8.15
<b>#R&amp;R Complete</b>				
8 Panel, Cluster Finish	91-93	FQJY 76044D70 A	.7	67.10
	94	F4JY 76044D70 A	.7	67.10
9 Compartment, Glove	91-93	E9JY 7606010 A	.7	181.08
	94	F4JY 7606010 A	.7	181.08
10 Pad, Panel Upper		E9JY 76042A56 A		2.98
Radio				
w/Cassette Player				
Standard		FODZ 18806 A	1.0	733.33
Premium		F1OY 18806 B	1.0	597.41
w/o Cassette Player		FODZ 18806 G	1.0	254.32
Module, Air Bag		F4JY 7604A74 ATM	.5	772.61

**CENTER CONSOLE**

Use Procedure Explanation 14 with the following text.

R&I Center Console Assy			.5
-------------------------	--	--	----

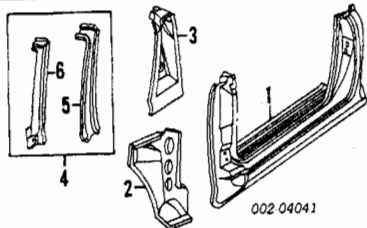


1 Panel, Console	91-93	E9JY 76045A36 BNP	.8	60.70
	94	F4JY 76045A36 ATM	.8	60.70
Sensor, Air Bag		FQJY 14B007 A	.5	95.77
2 Panel, Finish		E9JY 7604567 B	.4	9.95
3 Ashtray				
1991-93				
To 2-92		E9JY 7604821 A		29.07
From 2-92		F2JY 7604821 A		29.07
1994		F4JY 7604821 A		31.37
4 Plate, Gear Shift Opening		E9JY 76044G24 A		3.25

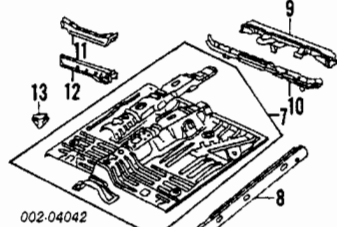
**ROCKER/PILLARS/FLOOR**

Use Procedure Explanations 14, 15 and 28 with the following text.

Refinish Door Opening Frame Assy	2.9
Rocker Panel	1.4
Hinge Pillar & Rocker Panel	2.4
Lock Pillar & Rocker Panel	2.4
Refinish Pillar & Bracket Assy	1.0
Upper Pillar	1.0
Refinish Rocker Moulding	.6
Refinish Lower Rear Moulding	.2
Section Rocker Panel (Only)	6.0
Section Hinge Pillar & Rocker Panel	
Right	5.5
Left	5.5
Section Lock Pillar & Rocker Panel	
Right	#5.5
Left	#5.5
<b>#w/Quarter Panel Removed</b>	



1 Frame Assy, Door Opening	To 11-90	R FQJY 7627840 A s	#10.5	291.80
		L FQJY 7627841 A s	#10.5	291.80
		R FQJY 7627840 B s	#10.5	291.83
From 11-90 to 4-92		L FQJY 7627841 B s	#10.5	291.80
		R F4JY 7627840 B s	#10.5	291.80
From 4-92		L FQJY 7627841 A s	#10.5	291.80
<b>#Deduct 3.0 w/Quarter Panel Removed</b>				
Moulding, Rocker (P)	R	F4JY 7610176 A	#.6	212.15
	L	F4JY 7610177 A	#.6	116.52
<b>#Includes R&amp;R Rear Moulding</b>				
Moulding, Lower Rear (P)		F4JY 76101C48-9 A	.2	50.47
(P) Paint to Match				
Retainer, Moulding				
Front		F4JY 7610182 B		12.52
Side		F4JY 7610182 A		11.78
2 Panel, Cowl Side	R	E9JY 7602038 A s	2.5	47.30
	L	E9JY 7602039 A s	2.5	41.32
		FQJY 76243K14-5 A		69.78
3 Extension, Lock Pillar				
4 Pillar & Bracket Assy				
To 8-91	R	E9JY 76022A24 A	3.0	139.00
	L	FQJY 76022A25 A	3.0	135.85
From 8-91	R	E9JY 76022A24 A	3.0	139.00
	L	F2JY 76022A25 A	3.0	135.85
5 Pillar, Outer	R	E9JY 7602508 A	3.5	131.48
	L	F2JY 7602509 A	3.5	47.00
6 Pillar, Upper				
To 12-90	R	E9JY 7602504 A		66.63
	L	E9JY 7602505 A		88.88
To 12-90		FQJY 7602504-5 A		45.25

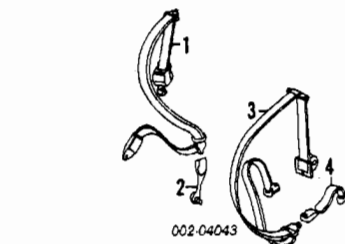


7 Pan, Front Floor	92-93	FQJY 7611135 B	#15.0	103.05
	94	F4JY 7611135 A	#15.0	N.A.
<b>#Deduct 3.0 for Each Inner Sidemember, Dash Panel or Rear Floor Pan Removed</b>				
8 Sidemember, Inner	R	FQJY 7610116 B s	2.5	72.87
	L	FQJY 7610117 B s	.5	72.87
9 Member, Floor Rear		E9JY 76102A24 A		73.97
10 Member, Floor Front		E9JY 7610692 A		80.35
11 Reinf, Seat Track		FQJY 76619K02-3 A	#1.5	45.20
12 Reinf, Floor Pan		FQJY 7611246-7 A	#1.5	32.00
13 Reinf, Sidemember	R	E9JY 76101A34 A	#.5	6.90
	L	E9JY 76101A35 A	#.5	11.30
<b>#Included in R&amp;R Front Floor Pan</b>				
Plate, Front Scuff		E9JY 7613208-9 A	.3	5.97
Panel, Cowl Trim	R	E9JY 7602344 ANP	.2	45.68
	L	E9JY 7602345 ANP	.2	45.68

**SEAT**

R&I Front Seat Assy			.5	
R&I Rear Seat Assy			.4	
R&I Cushion Only			.2	
Adjuster, Seat				
Driver		FQJY 7661705 D-E	#.6	111.05
Passenger	R	FQJY 7661704 D	#.6	111.05
	L	FQJY 7661704 C	#.6	56.05
<b>#R&amp;R Both One Seat 1.0</b>				

**SEAT BELTS**



1 Belt, Front Retractor	91-93	FQJY 76611A72-3 E	#.2	84.40
	94	F4JY 76611A72-3 A	#.2	84.40
<b>#w/Quarter Trim Panel Removed</b>				

2 Buckle				
1991-93				
To 7-92	R	FQJY 7661208 D	.2	26.30
	L	FQJY 7661209 C	.2	26.30
From 7-92	R	F2JY 7661208 C	.2	30.68
	L	F2JY 7661209 A	.2	30.68
1994		F4JY 7661208-9 A	.2	30.68
3 Belt, Rear Retractor	91-93	FQJY 76613884 D	#.2	73.13
	94	F4JY 76613884 A	#.2	73.13
4 Buckle				
To 7-92		FQJY 7660044 B	#.1	21.04
From 7-92		F2JY 7660044 A	#.1	21.04
<b>#w/Rear Seat Removed</b>				

**FRONT DOOR**

Use Procedure Explanations 16 and 28 with the following text.

Refinish Door Outside	2.3
Add for Jamb & Interior	1.0
Add for Jamb	.5
Refinish Hinge	.2
R&I Door Assy	.8
R&I Trim Panel	.3

**SHEET METAL**

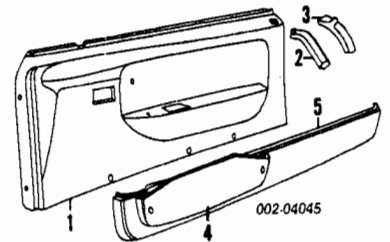
Shell, Door	R	E9JY 7620124 A	#4.0	453.68
	L	E9JY 7620125 A	#4.0	453.68
<b>#Includes R&amp;R Mirror</b>				
Panel, Door Repair	R	E9JY 7620200 A	#5.5	104.18
	L	E9JY 7620201 A	#5.5	104.18
<b>#Includes R&amp;R Mirror, Door Glass &amp; Vent Glass</b>				
Reinf, Upper		E9JY 7620168-9 A		6.00
<b>#Included w/Door Shell Assy</b>				
Reinf, Inside at Belt		E9JY 7620498-9 A		19.05
Bracket, Inside at Belt		E9JY 7620454-5 A		3.47

**EXTERIOR TRIM**

Refinish Door Moulding				.3
1 Moulding, Door				
1991-93		E9JY 7620938-9 A	.2	18.97
1994 (P)	R	F4JY 7620938 A	.2	22.47
	L	F4JY 7620939 A	.2	92.45
<b>(P) Paint to Match</b>				
Mirror, Rear View	91-93	F2JY 17682 A-B	.3	141.53
	94 R	F4JY 17682 CTM	.3	141.53
	L	F4JY 17682 ATM	.3	135.70

**INTERIOR TRIM**

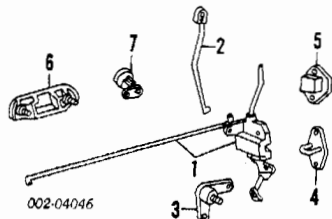
Add to R&R Trim Panel Assy				.2
To Cut Speaker Opening				.2
<b>NOTE: All Parts in this section are included in R&amp;R Trim Panel Assy unless noted otherwise.</b>				



1 Panel Assy, Trim				
1991	R	FQJY 7623942 BDQ	.7	407.03
	L	FQJY 7623943 BDQ	.7	407.03
1992-94				
w/Turbo	R	F2JY 7623942 C1P	.7	407.03
	L	F2JY 7623943 C1P	.7	407.03
w/o Turbo	R	F2JY 7623942 BHP	.7	407.03
	L	F2JY 7623943 BHP	.7	407.03
2 Handle, Pull				
Gray	R	F2JY 7622666 ANP	#.2	25.60
	L	F2JY 7622667 ANP	#.2	25.60
3 Cover, Pull				
Gray	R	F2JY 7622670 ANP	#.2	4.65
	L	E9JY 7622671 ANP	#.2	4.65
<b>#R&amp;R Complete</b>				
4 Cover, Trim Lower	R	E9JY 7623934 AVP		96.35
	L	F2JY 7623935 AVP		96.35
5 Cover, Lower				
1991				
To 10-90	R	FQJY 7623942 BDQ		407.03
	L	FQJY 7623943 BDQ		407.03
From 10-90	R	FQJY 7623942 BDK		407.03
	L	FQJY 7623943 BDK		407.03
1992-94				
w/Turbo	R	F2JY 7623942 C1P		407.03
	L	F2JY 7623943 C1P		407.03
w/o Turbo	R	F2JY 7623942 BHP		407.03
	L	F2JY 7623943 BHP		407.03
<b>Order by Application</b>				

Speaker, Radio	E9JY 18808 A	#.3	39.74
#w/Trim Panel Removed			
Compartment, Map	E9JY 7620104-5 A		17.48

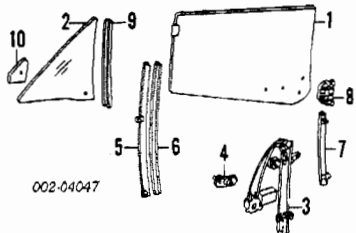
**HARDWARE**



<b>1 Latch</b>				
w/Power Locks	E9JY 7621812-3 A	#.3	162.55	
w/o Power Locks	E9JY 7621812-3 C	#.3	162.55	
#w/Trim Panel Removed				
<b>2 Knob &amp; Rod, Latch</b>	R E9JY 7621850 ANM		5.98	
	L E9JY 7621851 ANM		5.98	
<b>3 Bellcrank, Latch Control</b>	E9JY 7621900 A		8.80	
<b>4 Striker, Latch</b>	E9JY 76265A04 A	.2	12.28	
	1664267		d3.03	
<b>5 Bumper, Door</b>	R E9JY 7622404 A	#.2	17.82	
	L F2JY 7622404 A	#.2	17.82	
#w/Trim Panel Removed				
<b>7 Cylinder Kit, Lock</b>				
See Steering Wheel/Column Section				
<b>Hinge, Upper</b>	E9JY 7622800-1 A	#.2	49.87	
<b>Hinge, Lower</b>	E9JY 7622801-0 A	#.2	49.87	
#w/Door & Fender Removed				
<b>Arm, Door Stop</b>	FOJY 7623500 A	#.2	9.23	
#w/Trim Panel Removed				
<b>W/Strip, Opening</b>	R E9JY 7620708 A		60.37	
	L FOJY 7620709 A		60.55	

**GLASS & PARTS**

R&I Belt Otr Midg..... #1.1  
 #Includes R&I Trim Panel & R&R Mirror, w/Trim Panel Removed Deduct .7, w/Trim Panel & Mirror Removed Deduct .9



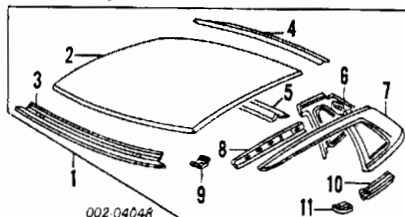
<b>1 Glass, Front Door</b>			
Ford-Tinted			
To 11-90	E9JY 7621400-1 A	#1.0	263.08
From 11-90	F2JY 7621400-1 A	#1.0	462.13
NAGS-Green			
w/Attach			
To 12-89	FD03816-7GTY	#1.0	462.15
From 12-89 to 2-92	FD04448-9GTY	#1.0	462.15
From 2-92	FD04592-3GTY	#1.0	462.15
w/o Attach			
To 12-89	FD03816-7GNTN	#1.0	N.A.
From 12-89 to 2-92	FD04448-9GNTN	#1.0	N.A.
From 2-92	FD04592-3GNTN	#1.0	N.A.
<b>2 Glass, Vent</b>			
Ford-Tinted			
To 2-91	E9JY 7621412 A	#1.0	258.62
From 2-91 to 7-92	FOJY 7621412-3 A	#1.0	316.13
From 7-92	F2JY 7621412-3 B	#1.0	337.37
NAGS-Green			
To 2-91	FV03792-3GNTN	#1.0	337.40
From 2-91 to 7-92	FV04491-2GNTN	#1.0	337.40
From 7-92	FV04590-1GNTN	#1.0	337.40
#R&R Both One Door 1,3, Includes R&I Trim Panel			
<b>3 Regulator &amp; Motor Assy</b>			
To 12-90	R F2JY 7623200 A	#1.0	200.00
	L E9JY 7623201 B	#1.0	200.00
From 12-90	F2JY 7623200-1 A	#1.0	200.00
#w/Door Glass Removed Deduct .8			
<b>4 Plate, Regulator</b>	E9JY 7623210 A		8.21
<b>5 Retainer, Run Front</b>			
To 4-92	E9JY 7621572-3 A	#1.0	63.85
From 4-92	F2JY 7621572-3 B	#1.0	63.85
<b>6 W/Strip, Door Window</b>			
To 7-92	E9JY 7621448-9 B	#1.0	26.28
From 7-92	F2JY 7621448-9 A	#1.0	73.57
#R&R Complete, Included in R&R Vent Glass			
<b>7 Retainer, Run Rear</b>	E9JY 76222A00-1 C	#.2	18.02
#w/Door Glass Removed			
<b>8 Guide, Lower</b>	F2JY 76222A92 A		3.58
<b>9 Filler, Vent Glass</b> [Not Serviced]			
[Serviced w/Door Window Weatherstrip			
<b>10 Cover, Mirror</b>	E9JY 17724 A-B		8.48
W/Strip, Belt Outer	E9JY 7621452-3 A	#1.1	25.75
#Includes R&I Trim Panel & Mirror, w/Trim Panel Removed Deduct .7, w/Trim Panel & Mirror Removed Deduct .9			
<b>W/Strip, Belt Inner</b>			
700mm Long	E9JY 7621456-7 B		10.53
221mm Long	E9JY 7621456-7 A		5.02

**ROOF**

Use Procedure Explanations 17 and 28 with the following text.

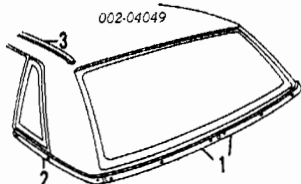
**REMOVABLE HARDTOP**

Refinish Roof Assy Outside	3.5
Add to Edge Roof	.5
R&I Roof Assy	.5
R&I Back Window	#2.8
#Includes R&R Headliner & Clean Up Old Adhesive as Necessary	



<b>1 Top Kit, Hard</b>	F2JY 7650196 C	4.5	839.40
[Blue listed, Order by Application]			
<b>Headliner</b>			
To 11-90	E9JY 7651916 AEP	1.5	266.83
From 11-90	FOJY 7651916 ANP	1.5	266.83
<b>2 Panel, Roof</b>	E9JY 7650202 A		d116.47
<b>3 Panel, Windshield Header</b>	E9JY 7603408 A		36.00
<b>4 Rail, Roof Rear</b>	E9JY 76513A74 A		22.60
<b>5 Reinf, Panel Center</b>			
To 3-91	FOJY 7650844 C		42.78
From 3-91	FOJY 7650844 C		42.78
<b>6 Panel, Extension</b>			
To 3-91	R E9JY 7650206 A		5.63
	L FOJY 7650207 A		52.25
From 3-91	FOJY 7650206-7 A		52.25
	E9JY 7650284-5 B		10.33
<b>7 Panel, Roof Side</b>			
<b>8 Panel, Roof Side Inner</b>			
Serviced w/Hard Top Kit			
<b>9 Bracket, Outer Rail</b>	E9JY 7651262-3 A		17.82
	R FOJY 7650844 A		23.67
	L FOJY 7650845 A		22.30
<b>10 Reinf, Rear Side</b>			
<b>11 Reinf, Side</b>			
To 3-91	E9JY 7650682-3 A		5.35
From 3-91	FOJY 7650682-3 A		21.72
[Included w/Hard Top Assy]			
<b>Weatherstrip, Belt</b>	E9JY 76513C24 B		47.13
<b>W/Strip, Glass Opening</b>	E9JY 7654780-1 A		41.30

**EXTERIOR TRIM**



<b>1 Moulding, Belt</b>	E9JY 7650416-7 B	#.2	15.65
#w/Interior Trim Removed			
<b>2 Moulding, Side</b>	E9JY 76517A62-3 B	#.2	14.45
#w/Roof Assy Removed			
<b>3 Moulding, Roof</b>	E9JY 76517C44-5 A	#.2	70.33
#w/Headliner Removed			

**BACK WINDOW**

Use Procedure Explanation 19 with the following text.

<b>Glass, Back Window</b>			
Ford	E9JY 7642006 A	#2.5	531.03
NAGS			
Clear	FB03820CLN	#2.5	531.05
Green	FB03820GTN	#2.5	531.05
#Includes R&R Headliner & Clean Up Old Adhesive as Necessary			
<b>W/Strip, Back Window</b>	E9JY 7642084 A		50.07

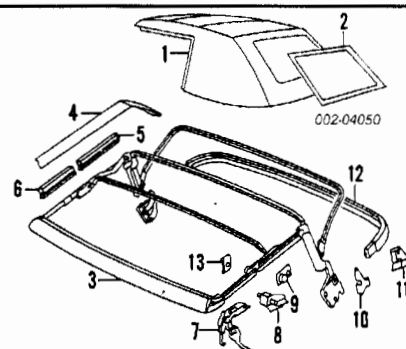
**CONVERTIBLE TOP**

**COVER & HARDWARE**

R&I Convertible Top Assy			.8
--------------------------	--	--	----

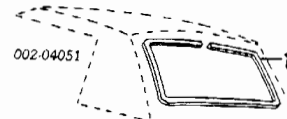
Illustration Located in Next Column

<b>1 Cover, Roof</b>			
Black	FOJY 7652700 A8F	3.6	1174.40
White	FOJY 7652700 A8G	3.6	1174.40
<b>2 Window, Rear Curtain</b> [Not Serviced]			
[Included w/Roof Cover]			
<b>3 Top Assy, Folding</b>			
To 7-92	FOJY 7653000 A		2763.17
From 7-92	F2JY 7653000 A		2763.17
<b>4 Strip, Tacking</b>			
To 1-91	R E9JY 7651412 ANF		61.88
	L E9JY 7651413 ANF		61.88



From 1-91	R FOJY 7651412 A		97.38
	L FOJY 7651413 A		118.23
<b>5 W/Strip, Center Rail</b>	FOJY 7651822 A		54.30
<b>6 W/Strip, Front Rail</b>	FOJY 7651822 A		54.30
<b>7 Clamp, Hold Down</b>	E9JY 7650508 A	.5	d51.17
<b>8 Retainer, Top Spring</b>			
Lower	E9JY 76507A10-1 A		3.25
<b>9 Retainer, Top Trim</b>			
Side	E9JY 7654672 A		1.63
<b>10 Plate, Top Control</b>	E9JY 7653576 A		3.25
<b>11 Retainer, Top Trim</b>			
Rear	E9JY 7654674-5 A		3.25
<b>12 Strip, Rear Tacking</b>	E9JY 7641745 A		189.98
<b>13 Retainer, Side Rail Bumper</b>			
Right	E9JY 7653066 A		3.80
Left	E9JY 7653066 A		3.80

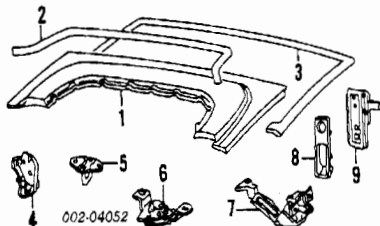
**EXTERIOR TRIM**



<b>1 Midg, Rear Curtain</b> [Not Serviced]			
[Included w/Roof Cover, See Cover & Hardware]			
<b>2 Midg, Rear Belt</b>	E9JY 7653984 A	.4	153.97
<b>3 Cap, Belt Midg</b>	E9JY 76517C90-1 A		3.20

**TOP COMPARTMENT**

Refinish Top Compartment Cover	1.8
Add for Underside	1.0
R&I Top Compartment Cover Assy	.4



<b>1 Cover, Top Compartment</b>	E9JY 7650101 A	1.0	225.77
<b>2 W/Strip, Belt</b>	E9JY 7651454 A	.4	10.08
<b>3 W/Strip, Compartment Cover</b>			
To 3-91	FOJY 76404A06 K	.6	108.60
From 3-91	FOJY 76404A06 L	.6	108.60
<b>4 Catch, Upper</b>	FOJY 7654810 A	.6	16.88
<b>5 Striker</b>			
To 2-91	E9JY 76539774 A	.2	3.25
From 2-91	FOJY 76539774 A	.2	3.25
<b>6 Latch, Cover Release</b>	F2JY 7661382 A		24.67
Hinge, Cover	R E9JY 7641834 C	#.3	22.05
	L E9JY 7641835 C	#.3	23.95
#w/Cover Removed			
<b>8 Panel, Latch</b>	E9JY 7611762 A		3.25
<b>9 Cover, Latch Upper</b>	FOJY 76501A14 A		46.03

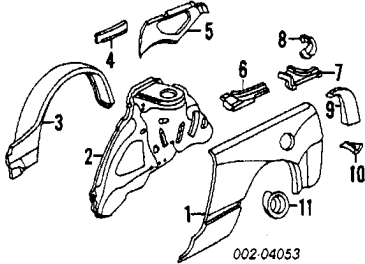
**QUARTER PANEL**

Use Procedure Explanations 20 and 28 with the following text.

<b>SHEET METAL</b>			
Refinish Quarter Outside	2.1		
Add for Pillar	.5		
Add to Edge Panel	.5		
Refinish Fuel Door	.3		
R&R Both Quarter Panels	19.0		
R&R Rear Body Panel & Both Quarter Panels	22.0		

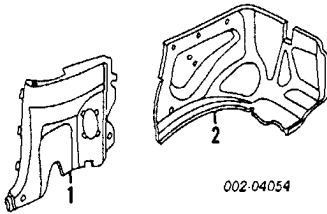
QUARTER PANEL Cont'd

SHEET METAL Cont'd



1 Panel, Quarter	R	FOJY 7627846 A	10.5	296.02
	L	FOJY 7627847 A	10.5	296.02
		FOJY 76405A26 A	.2	20.85
2 Panel, Whilse Outer				
To 10-90		E9JY 7627886-7 A s	2.5	93.83
From 10-90		FOJY 7627886-7 A s	2.5	93.83
3 Panel, Whilse Inner				
To 3-91		E9JY 7627894-5 A s	2.0	96.87
From 3-91	R	FOJY 7627894 A s	2.0	70.78
	L	E9JY 7627895 A s	2.0	96.87
4 Panel, Inside Front		E9JY 7627790-1 A		163.37
5 Ext, Panel Rear		E9JY 7628010-1 A		66.65
6 Reinf, Panel Upper	R	FOJY 76287A02 A		37.65
	L	FOJY 76287A03 A		87.85
7 Bracket, Panel Upper		E9JY 7628424-5 A		33.00
8 Reinf, Panel to Ext		E9JY 76280806-7 A		40.80
9 Bracket, Panel Ext	R	E9JY 76280A52 A		16.85
	L	E9JY 76280A53 A		9.92
10 Reinf, Panel Rear Upper		E9JY 76280816-7 A		28.22
11 Housing, Fuel Filler Tray, Package		E9JY 7627936 A		23.22
		FOJY 7644502 A		164.43

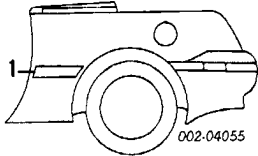
INTERIOR TRIM



1 Panel, Trim	R	FOJY 7631012 AVP	.4	131.33
	L	FOJY 7631013 AVP	.4	131.33
Speaker, Radio		E9JY 18808 A	.5	39.74
2 Panel, Trim Ext		FOJY 7631076-7 B	.3	83.42

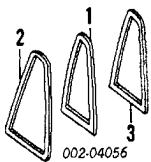
EXTERIOR TRIM

Refinish Quarter Moulding



1 Moulding, Quarter				
1991-93		E9JY 7629076-7 A	.2	6.87
1994 (P)		F4JY 7629076-7 A	.2	8.93
(P) Paint to Match				
Decal-XR2		F4JY 76290A36-7 A	.2	13.33

QUARTER GLASS

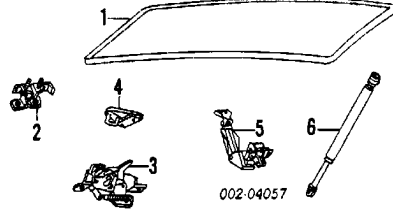


1 Glass, Qtr Hardtop				
Ford-Tinted		E9JY 7629710-1 B	1.2	268.65
NAGS-Green		FQ03818-9GTN	1.2	268.65
2 W/Strip, Side				
To 8-92		E9JY 7651420-1 A		20.63
From 8-92		F2JY 7651420-1 A		20.63
3 Retainer, Glass		E9JY 76518A78 A		10.43

LUGGAGE LID

Use Procedure Explanations 24 and 28 with the following text.

Refinish Luggage Lid Outside	2.2
Add for Underside	1.1
Refinish Hinge	.2
Refinish Spoiler	1.2
R&I Lid Assy	.5
Add to R&R Luggage Lid To Drill for & Install Spoiler	1.0



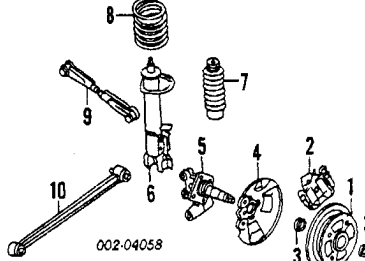
1 Lid, Luggage Spoiler (P) 1991-92	F4JY 7640110 A	1.2	271.55
To 3-92	F1JY 7644210 A	.4	383.97
From 3-92	F2JY 7644210 A	.4	383.97
1993-94 (P) Paint to Match	F4JY 7644210 A	.4	383.97
2 Hinge #w/Lid Removed	FOJY 7642700 B	#.3	38.70
3 Latch To 11-93	E9JY 7643200 A	.6	35.73
From 11-93	F2JY 7643200 A	.6	N.A.
4 Striker	E9JY 76404A2 A	.2	5.12
5 Bracket, Lift Cylinder	R E9JY 7641834 C		22.05
	L E9JY 7641835 C		23.95
6 Lift, Hydraulic w/Spoiler	F2JY 76406A10 B	.2	26.28
w/o Spoiler	E9JY 76406A10 C	.2	26.28
Weatherstrip To 10-90	FOJY 7643720 A	.6	52.55
From 10-90	FOJY 7643720 A	.6	52.55
Cylinder & Keys Nameplate "Capri"	E9JY 7642528 A	.2	8.02
"Mercury"	E9JY 7642528 C	.2	8.02
"XR2"	E9JY 7642528 D	.2	15.00

REAR SUSPENSION

Use Procedure Explanation 23 with the following text.

R&I/R&R or O/H Does Not Include Alignment or Bleed Brake System.	
R&I Suspension (One Side)	m 1.5
O/H Suspension (Includes R&I) One Side	m 2.8
Both Sides	m 5.1
Adjust Four Wheel Alignment	m 1.9
Bleed Brake System	m .3

NOTE: All Parts in this section are included in overhaul unless noted otherwise.

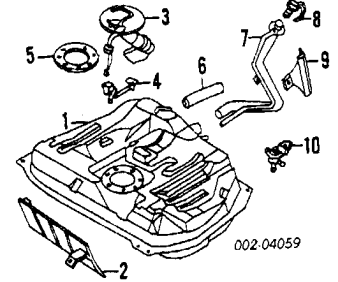


1 Hub, Rotor #R&R Both 1.4	E8GY 2C026 A	m #.8	85.08
2 Caliper, Brake 91-93 R	E7GZ 2552 A	m #.5	243.19
L	E7GZ 2553 A	m #.5	255.36
94 F3JY	2552-3 A	m #.5	299.39
#w/Rotor Removed Deduct .4			
3 Bearing, Wheel Inner	E7GZ 1244 A	m #.9	16.33
Outer	E7GZ 1216 A	m #.9	15.00
Seal, Hub	E7GZ 1177 C	m #.9	3.50
#R&R One Side Complete, Includes R&R Hub			
4 Shield, Splash R	E8GY 2C028 B	m #.9	36.17
L	E8GY 2C029 C	m #.9	32.39
#Includes R&R Hub			
5 Spindle #Includes R&R Hub, Bearing & Splash Shield	E7GZ 4A013 A-B m	#1.1	74.33
6 Absorber, Shock 1991-93	E9JY 18125 F-Em	#2.1	109.38
1994 w/Turbo	F4JY 18125 A	m #2.1	115.94
w/o Turbo	F4JY 18125 B	m #2.1	115.94
7 Boot, Dust	E8GY 18159 A	m #2.1	27.92
8 Spring, Coil	E9JY 5560 A	m #2.1	42.10
Insulator, Spring	E9GZ 5536 A	m #2.1	8.60
#R&R One Side Complete, R&R Both Sides 3.6, w/Spindle Removed Deduct 1.5			

9 Arm, Rear Suspension Front	E7GZ 5500 B-C m	#.8	30.25
Rear	E7GZ 5500 E-F m	#.8	N.A.
#R&R Front & Rear One Side 1.0, R&R Front & Rear One Side w/Spindle Removed Deduct .4			
10 Rod, Suspension Tie #R&R Both .9, w/Strut Removed Deduct .5	FOJY 5K898 A	m #.7	50.70
Hose, Brake #w/Caliper Removed Deduct .2	E7GZ 2282 A-B m	#.3	28.42

FUEL TANK

R&I/R&R Does Not Include Drain Fuel. R&I Fuel Tank

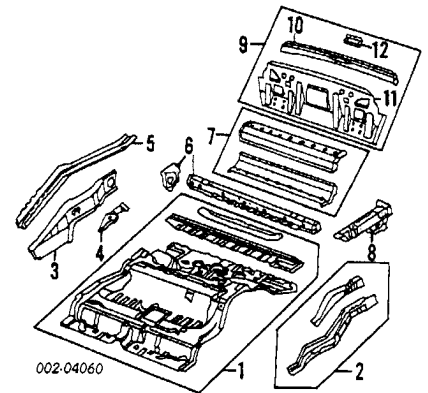


1 Tank, Fuel 91-93	FOJY 9002 A	m 1.5	177.82
94	F4JY 9002 A	m 1.5	210.00
2 Shield, Tank	E9JY 9B007 B	#.2	27.33
3 Pump, Fuel	F1JY 9350 A	m #.7	319.60
4 Gauge, Tank Unit	E8GY 9275 A	m #.7	57.58
5 Seal, Gauge	E8GY 9276 A	#	6.58
6 Hose, Filler Pipe	E7GZ 9047 A	#	27.92
7 Pipe, Filler #Included in R&R Fuel Tank	E9JY 9034 A	#.9	80.83
8 Cap, Fuel	FOJY 9030 A		11.87
9 Shield, Filler Pipe To 12-93	E9JY 9C291 A		10.08
From 12-93	F4JY 9C291 A		N.A.
10 Valve, Vapor Label, Fuel 91-93	FOJY 9A095 A	.4	52.20
94	F3JY 9A095 A		1.63
			5.96

REAR BODY

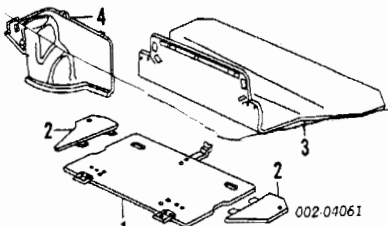
Use Procedure Explanations 26 and 28 with the following text.

Refinish Rear Floor Pan	1.5
Refinish Rear Body Panel Assy	#1.5
#Includes Refinish Interior	



1 Pan, Rear Floor To 11-90	E9JY 7611215 B	#12.5	715.32
From 11-90	FOJY 7611215 B	#12.5	922.37
#w/Rear Body Panel Assy Removed, w/Each Rear Sidemember Removed Deduct 3.0, w/Each Inner Wheelhouse Removed Deduct 1.0			
2 Sidemember, Rear #w/Rear Body Panel Assy Removed	E9JY 7610124-5 B s	#8.0	255.37
3 Sidemember, Rear Inner	FOJY 76106A82-3 D	3.0	94.20
4 Reinf, Floor Pan Center	E9JY 7611393-4 A		29.82
5 Sidemember, Floor Ctr Crossmember	FOJY 76103K88-9 A	7.0	69.72
6 Floor Rear	F2JY 7610780 A	3.5	79.42
7 Floor Center Rear	E9JY 76101C12 A		73.13
8 Sidemember, Rear R	E9JY 76101A14 A s	#2.5	99.62
L	E9JY 76101A15 A s	#2.5	135.47
#w/Rear Body Panel Assy Removed			
9 Panel Assy, Rear Body Lower Back 91	E9JY 7640320 A	#7.0	127.42
92-93	F2JY 7640320 A	#7.0	121.70
94	F4JY 7640320 A	#7.0	121.70
#Deduct 2.0 for Each Quarter Panel Removed, Deduction Includes Common Surfaces & Included Operations			
10 Reinf, Panel Center	E9JY 7640338 A	#9.5	48.23
11 Panel, Lower Back	91 FOJY 7640324 A	#9.5	52.00
92-93	F2JY 7640324 A	#9.5	49.67
94	F4JY 7640324 A	#9.5	49.67
12 Bracket, Back Panel	E9JY 7645450 A		14.18
#Included w/w/Rear Body Panel Assy #R&R Complete, Deduct 2.0 for Each Quarter Panel Removed			

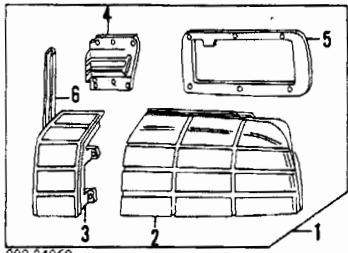
INTERIOR TRIM



1 Cover, Spare Tire To 5-91	E9JY 7645026 A	.2	70.85
From 5-91	FOJY 7645028 A	.2	70.85
2 Panel, Floor	E9JY 76115A70-1 A		17.05
3 Cover, Floor	E9JY 7645455 ALP	.4	156.72
4 Cover, Side	R E9JY 7645422 ALN	.4	235.65
	L E9JY 7645423 ALN	.4	235.65

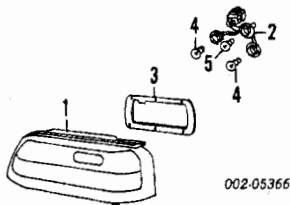
REAR LAMPS

COMBINATION LAMP 1991-93



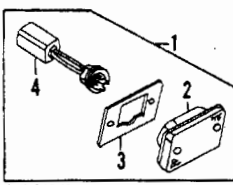
1 Lamp Assy	E9JY 13404-5 F	.3	159.97
2 Lens, Outer	E9JY 13450-1 B	#.5	124.65
3 Lens, Inner	E9JY 13450-1 A	#.5	70.47
<b>#R&amp;R One Side Complete</b>			
4 Bracket, Rear Lamp	R E9JY 13432 A		3.32
	L E9JY 13433 A		12.78
5 Seal, Lamp	E9JY 13A495 A		12.48
6 Shield, Lamp	E9JY 13A460-1 A		10.72
Bulb, Lamp	C3DZ 13466 A		1.68
*Included w/Lamp Assy			

1994



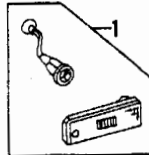
1 Lamp Assy	F4JY 13450 A-B	.3	216.83
2 Socket & Wire	F4JY 13410 A		16.93
3 Seal, Lamp	F4JY 13A495 A-B		12.48
4 Bulb, Stop/Turn/Signal	E7ZZ 13466 A		1.57
5 Bulb, Back-Up	C8TZ 13466 A		.80
Nameplate "Mercury"	F4JY 7642528 A	.2	8.02
"XR2"	F4JY 7642528 C	.2	15.00

LICENSE LAMP



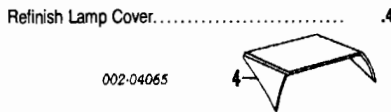
1 Lamp Assy	E9JY 13550 A	#.2	36.15
<b>#Included in R&amp;R Luggage Lid</b>			
2 Lens	E9JY 13564 A	.2	15.67
3 Gasket, Lamp	E9JY 13568 A		4.80
4 Socket & Wire	E9JY 13410 C		13.43
Bulb	E9JY 13466 A		5.35
*Included w/Lamp Assy			

SIDE MARKER LAMP



1 Lamp, Side Marker Bulb	E9JY 15A201 C-D	#.2	40.95
<b>#Included in R&amp;R Rear Bumper Cover</b>			
	E9JY 13466 A		5.35

STOP LAMP HIGH MOUNT



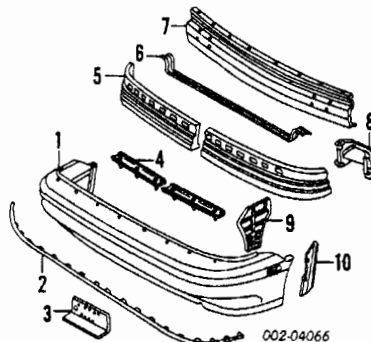
Refinish Lamp Cover			.4
1 Lamp Assy (P)	91-93 E9JY 13A613 A	#.3	42.70
	94 F4JY 13A613 B	#.3	42.70
*Mounted on Trunk (P) Paint to Match			
<b>#Included in R&amp;R Luggage Lid</b>			
2 Gasket, Lamp	E9JY 13A669 A		3.14
3 Socket & Wiring	E9JY 13A625 A		15.48
*Included w/Lamp Assy			
4 Cover, Lamp (P)	E9JY 13B479 B	#.3	31.75
(P) Paint to Match			
<b>#Included in R&amp;R Lamp Assy</b>			
Bulb	E9JY 13466 C		3.78

REAR BUMPER

Use Procedure Explanations 27 and 28 with the following text.

Refinish Bumper Cover		2.5
R&I Bumper Assy		.8
O/H Bumper Assy (Includes R&I)		2.2

NOTE: All Parts in this section are included in overhaul unless noted otherwise.



1 Cover, Bumper (P)	91-93 E9JY 17K835 A	2.2	307.98
	94 F4JY 17K835 A	2.2	392.50
(P) Paint to Match			
2 Pad, Center	FOJY 17C830 A	.3	15.15
3 Bracket, License Plate	FOJY 17B390 A	#.3	140.12
4 Reinf, Cover	FOJY 17E814 B	IOH	17.72
5 Support, Cover Lower	91-93 E9JY 17E855 A-B	IOH	53.10
	94 F4JY 17E855 A-B	IOH	53.10
6 Support, Cover Upper			
1991-93			
Inner	E9JY 17D995 A	IOH	15.47
Outer	E9JY 17D995 A	IOH	15.47
1994			
	F4JY 17D995 A	IOH	N.A.
7 Face Bar	E9JY 17906 A	IOH	219.42
8 Bracket, Face Bar	E9JY 17C897 A-B	IOH	112.62
9 Brace, Bar End	91-93 E9JY 17789 A-D	#.2	14.42
	94 F4JY 17789 A-B	#.2	14.42
<b>#w/Bumper Assy Removed</b>			
10 Shield, Stone Deflector	E9JY 17E838 A-B	.2	28.00

COUGAR 1989-94

SPECIAL CAUTIONS

SRS

**SUPPLEMENTAL RESTRAINT SYSTEM**  
Refer to Special Caution in General Information Section of the Procedure Pages.

PAINT CODE LOCATION

Paint code located on rear face of left door or on left lock pillar.

CLEAR COAT IDENTIFICATION

All metallics, black code UA and bright red code E4 are clear coat. All door jambs, pillars, roof & quarter edges are clear coat.

INFORMATION LABELS

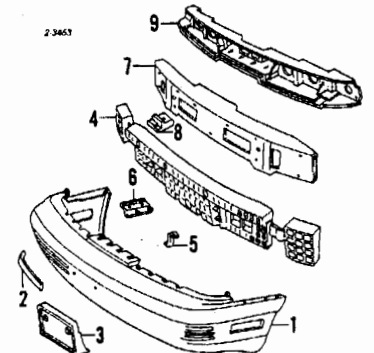
Labels must be special ordered from dealer by vehicle name, serial number and application.

FRONT BUMPER

Use Procedure Explanations 1 and 28 with the following text.

Refinish Bumper Cover	2.9
Refinish Impact Bar	1.0
R&I Bumper Cover Assy	#1.2
<b>#Includes Remove Park/Signal Lamps</b>	
O/H Bumper Cover Assy (Includes R&I)	#2.2
<b>#Includes R&amp;R Park/Signal Lamps</b>	
Add to R&R Cover or O/H Bumper Cover Assy To Cut for & Install Side Marker Lamps	.7

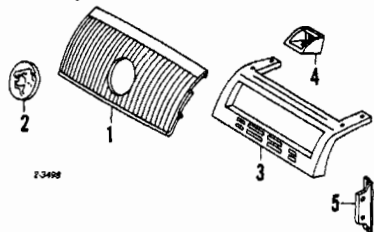
NOTE: All Parts in this section are included in overhaul unless noted otherwise.



1 Cover, Front (P)	89-90 E9WY 17D957 B	#1.6	294.58
	91-93 F1WY 17D957 B	#1.6	409.83
	94 F4WY 17D957 A	#1.6	507.40
(P) Paint to Match			
<b>#Includes R&amp;R Park/Signal Lamps</b>			
2 Pad, Horizontal	89-90 E9WY 17C829 C	.3	59.25
	F1WY 17C829 B	.3	59.25
*Black listed, Order by Application			
3 Frame, License	89-90 E9WY 17A385 A	.2	20.30
	91-94 F1WY 17A385 A	.2	17.38
	E9SZ 17C947 A	#.4	54.32
4 Support, Cover			
<b>#w/Front Cover Removed</b>			
5 Brace, Support	E9SZ 17C947 C	IOH	24.15
6 Bracket, Guide	E9SZ 17C972-3 A	IOH	21.62
7 Bar, Impact	F4SZ 17757 A	#2.5	105.00
<b>#w/Front Cover Assy Removed, Not Included in O/H</b>			
8 Support, Tow	E9SZ 17E819 A-B	IOH	5.48
9 Panel, Headlamp Mtg	89-90 E9WY 8A284 A	#3.2	94.60
	91-94 F2WY 8A284 A	#3.5	102.97
<b>#Not Included in O/H, Includes R&amp;I Bumper Assy, R&amp;R Park/Signal Lamps &amp; Headlamp Assemblies, Includes Grille on 1991-94. Add .4 to Aim Lamps</b>			

GRILLE

R&I Grille Assy		.3
-----------------	--	----



1 Grille			
1989-93			
LS	89 E9WY 8200 A	.4	173.60
	90 FOWY 8200 D	.4	123.13
	91-93 F1WY 8200 D	.4	123.13
	89-90 FOWY 8200 B	.4	173.60
	91-93 F2WY 8200 B	.4	173.60
XR7 (a)			