

SECTION 01-12 Instrument Panel and Console

SUBJECT	PAGE	SUBJECT	PAGE
DESCRIPTION		REMOVAL AND INSTALLATION (Cont'd.)	
Console, Floor.....	01-12-1	Instrument Panel Assembly.....	01-12-2
Instrument Panel.....	01-12-1	Latch, Glove Compartment.....	01-12-10
REMOVAL AND INSTALLATION		Lock, Glove Compartment.....	01-12-10
Console, Front.....	01-12-12	Shifter Boot.....	01-12-15
Console, Rear.....	01-12-11	Striker, Glove Compartment.....	01-12-10
Glove Compartment.....	01-12-9	SPECIFICATIONS	01-12-15
Instrument Cluster Bezel.....	01-12-1	VEHICLE APPLICATION	01-12-1

VEHICLE APPLICATION

Capri.

DESCRIPTION

Instrument Panel

The instrument panel houses all of the heater / air conditioning controls as well as the radio, clock, rear window defroster switch, fog lamp switch, instrument panel dimmer switch and glove compartment.

Console, Floor

The floor console on this vehicle is divided into two sections; the front console and the rear console. The front section contains an ash receptacle, cigar lighter and gear shift selector. The rear section contains a storage tray, coin holder, parking brake lever, switch controls for power side view mirrors and a map / beverage holder.

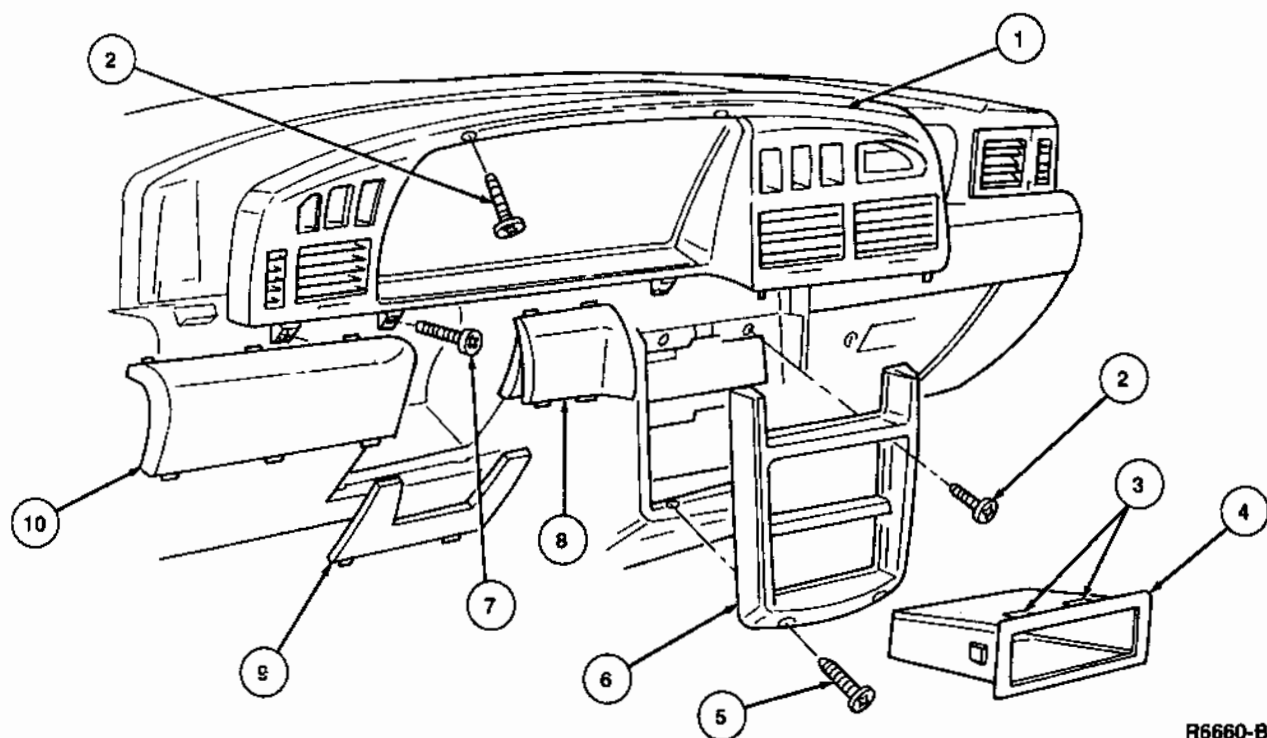
REMOVAL AND INSTALLATION

Instrument Cluster Bezel

Removal

1. Pull out storage compartment if equipped. Remove two upper and two lower screws, and heater / radio bezel.
2. Remove trim covers located on both sides of steering column by pulling outward.
3. Remove retaining screws and carefully pull instrument cluster bezel partially away from instrument panel.
4. Disconnect electrical connectors from clock and switches in bezel.

REMOVAL AND INSTALLATION (Continued)



Item	Part Number	Description
1	044D70	Instrument Cluster Bezel
2	—	Upper Screw (2 Req'd)
3	—	Retaining Lugs
4	10B906	Storage Compartment
5	E610446-S36C	Lower Screw (2 Req'd)
6	90JA-18809-AAW	Heater/Radio Bezel
7	—	Lower Screw (3 Req'd)
8	04338	Right Trim Cover
9	04459	Center Trim Cover
10	04338	Left Trim Cover

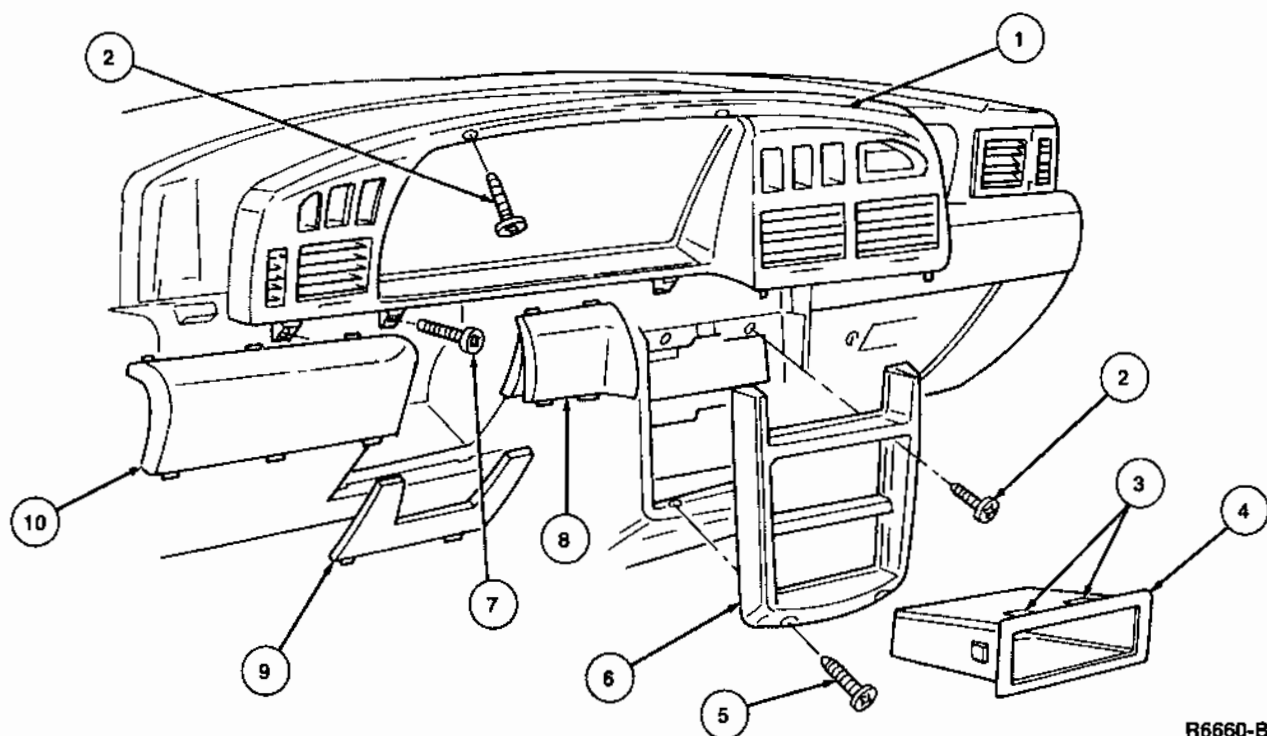
Installation

1. Connect electrical connectors to clock and switches.
2. Position instrument cluster bezel and install retaining screws.
3. Position trim covers on both sides of steering column and snap into place.
4. Position heater /radio bezel and install securing screws.
5. Install storage compartment if equipped.

Instrument Panel Assembly**Removal**

1. Disconnect negative battery cable.
2. Remove LH and RH lower cowl trim panels. Refer to Section 01-05.
3. Remove front and rear floor consoles as outlined.
4. Remove heater /radio bezel, trim covers, instrument cluster bezel, and storage compartment as outlined.

REMOVAL AND INSTALLATION (Continued)



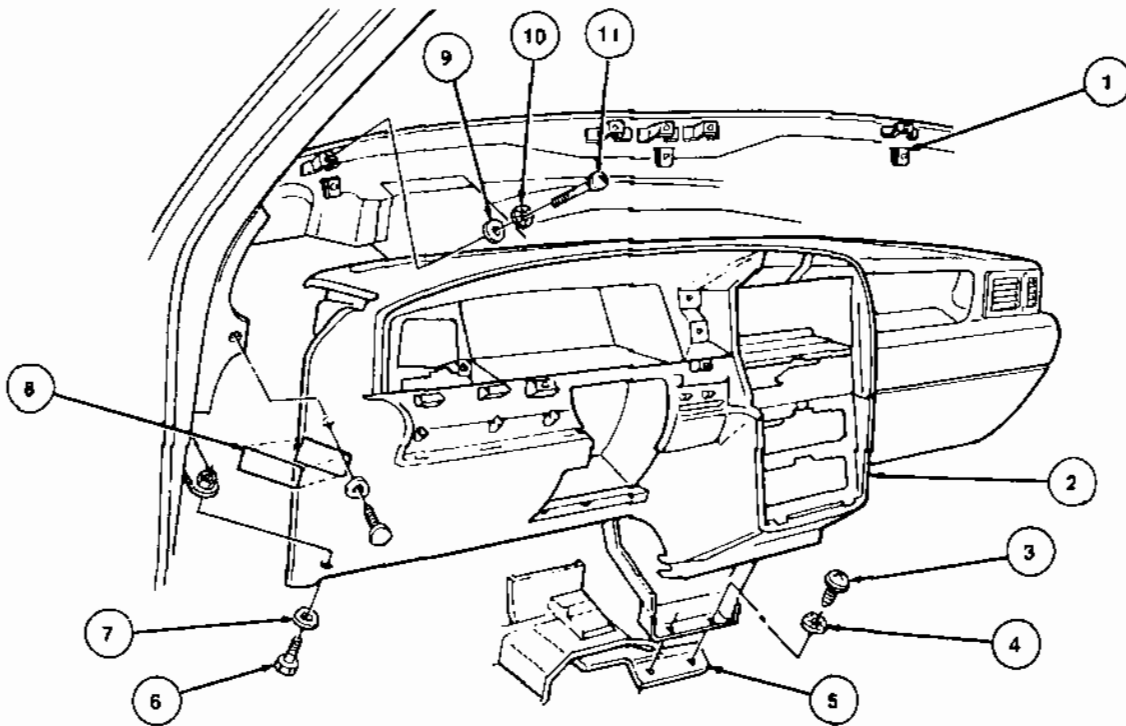
R6660-B

Item	Part Number	Description
1	044D70	Instrument Cluster Bezel
2	—	Upper Screw (2 Req'd)
3	—	Retaining Lugs
4	10B906	Storage Compartment
5	E610446-S36C	Lower Screw (2 Req'd)
6	90JA-18809-AAW	Heater/Radio Bezel
7	—	Lower Screw (3 Req'd)
8	04338	Right Trim Cover
9	04459	Center Trim Cover
10	04338	Left Trim Cover

5. Remove instrument cluster. Refer to Section 13-01.
6. Remove steering column. Refer to Section 11-04.
7. Loosen nut retaining hood release cable to lower instrument panel and position cable aside.
8. Remove radio. Refer to Section 15-01.
9. Remove heater or A/C control panel. Refer to Section 12-01 or 12-03.
10. Tag and remove all wiring harness retainers and connectors from instrument panel.
11. Remove three screws, lockwashers and plain washers located near base of windshield.

12. Remove two bolts and washers from each side of instrument panel. An access panel is provided for upper bolts.
13. Remove two screws and lockwashers retaining instrument panel to center floor bracket.
14. Remove two screws retaining instrument panel to steering column support.
15. With an assistant, gently slide instrument panel outward. Disconnect ducts and wiring during removal.

REMOVAL AND INSTALLATION (Continued)



R6658-B

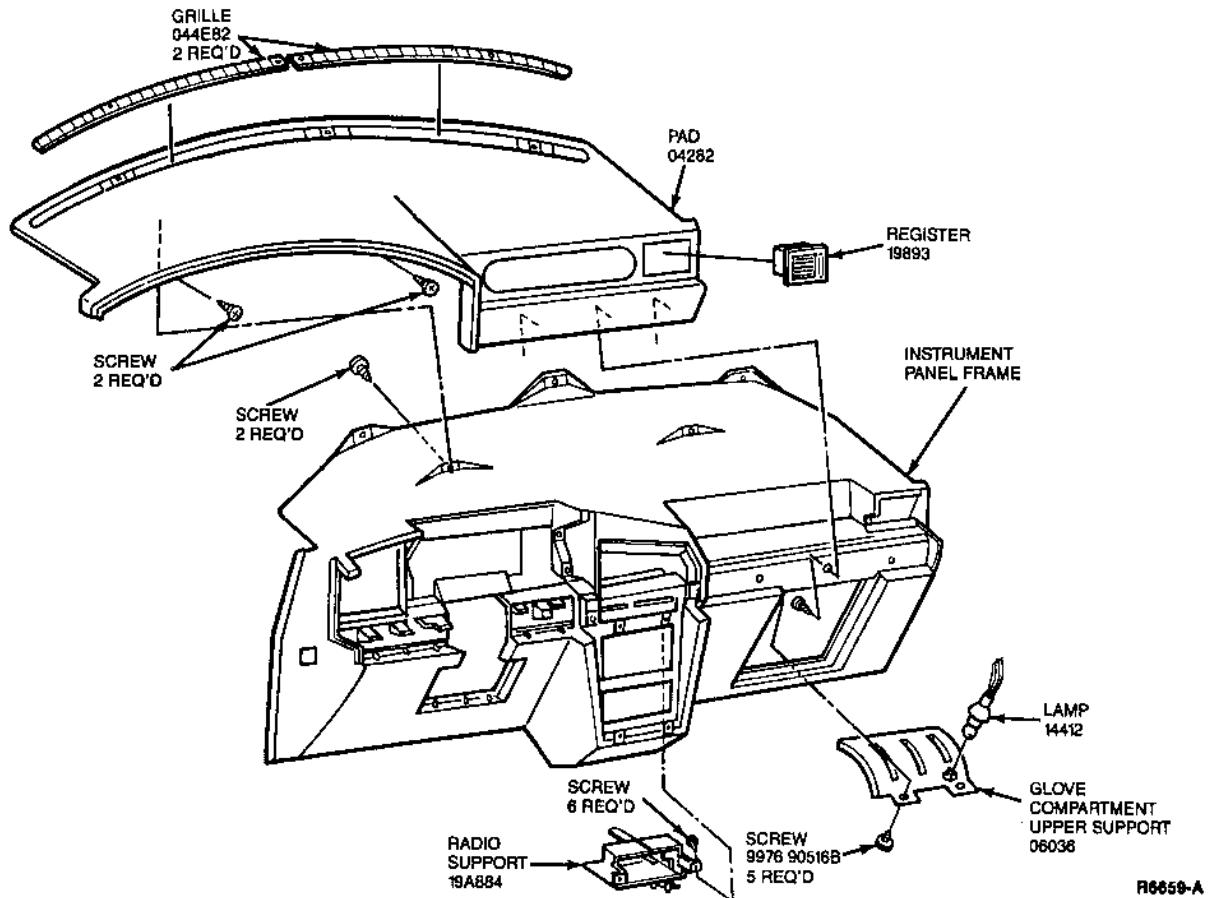
Item	Part Number	Description
1	9989 40600	Clip (3 Req'd)
2	—	Instrument Panel
3	9986 50512B	Screw (2 Req'd)
4	9997 30500B	Lockwasher (2 Req'd)
5	—	Lower Bracket
6	V388500-S57	Bolt (4 Req'd)
7	32000	Washer (4 Req'd)
8	D44F58	Access Panel
9	9995 20600B	Washer (3 Req'd)
10	E630317-S36C	Lockwasher (3 Req'd)
11	V800310-S36C	Screw (3 Req'd)

- 16 Remove lamp, screws and upper glove compartment support bracket from instrument panel assembly.
- 17 Remove screws and radio support bracket.
- 18 Remove defroster grilles from instrument panel pad.

- 19 Remove two screws above instrument cluster, three screws above glove compartment, and two screws from underside of instrument panel. Remove instrument panel pad.

REMOVAL AND INSTALLATION (Continued)

20. Remove passenger side register from pad.



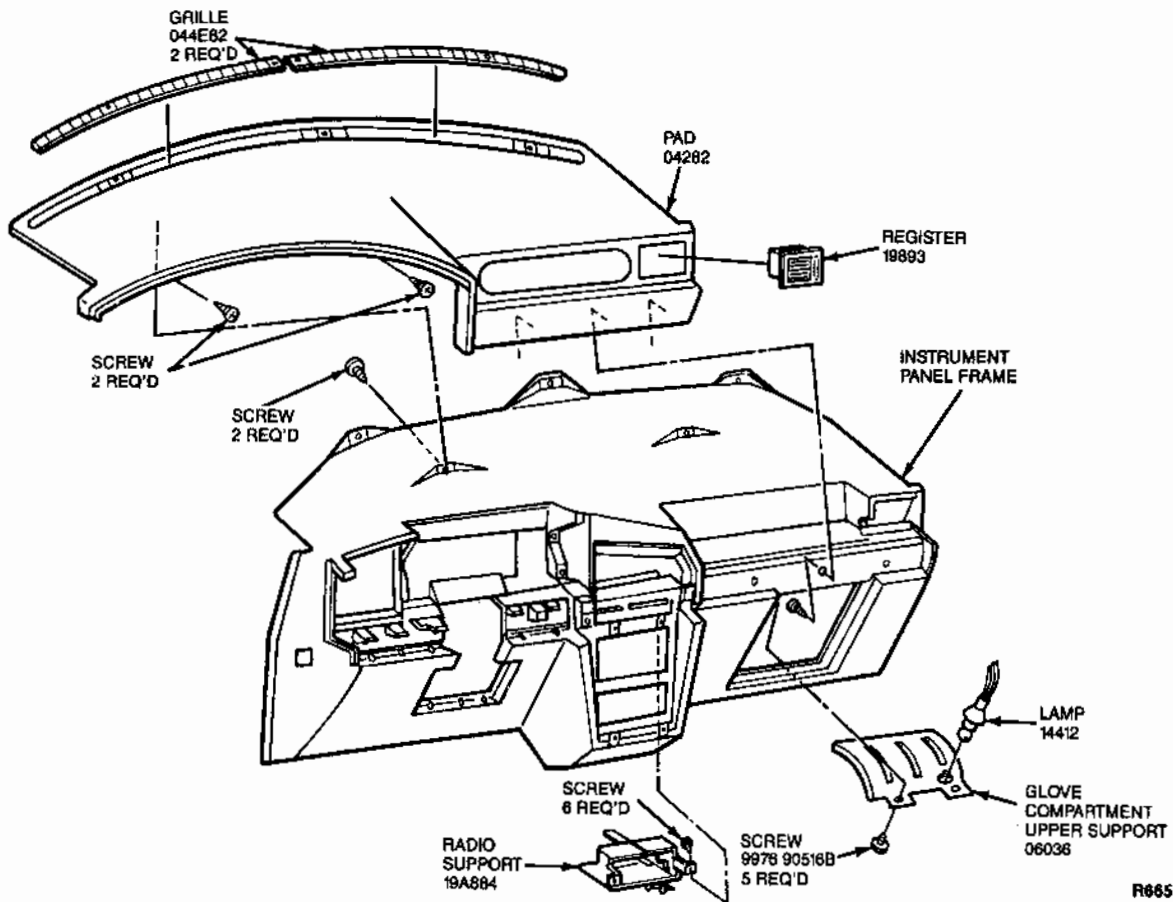
Installation

1. Install passenger side register into instrument panel pad.
2. Install instrument panel pad with screws and tighten securely.

3. Install defroster grilles.
4. Install radio support bracket into instrument panel.

REMOVAL AND INSTALLATION (Continued)

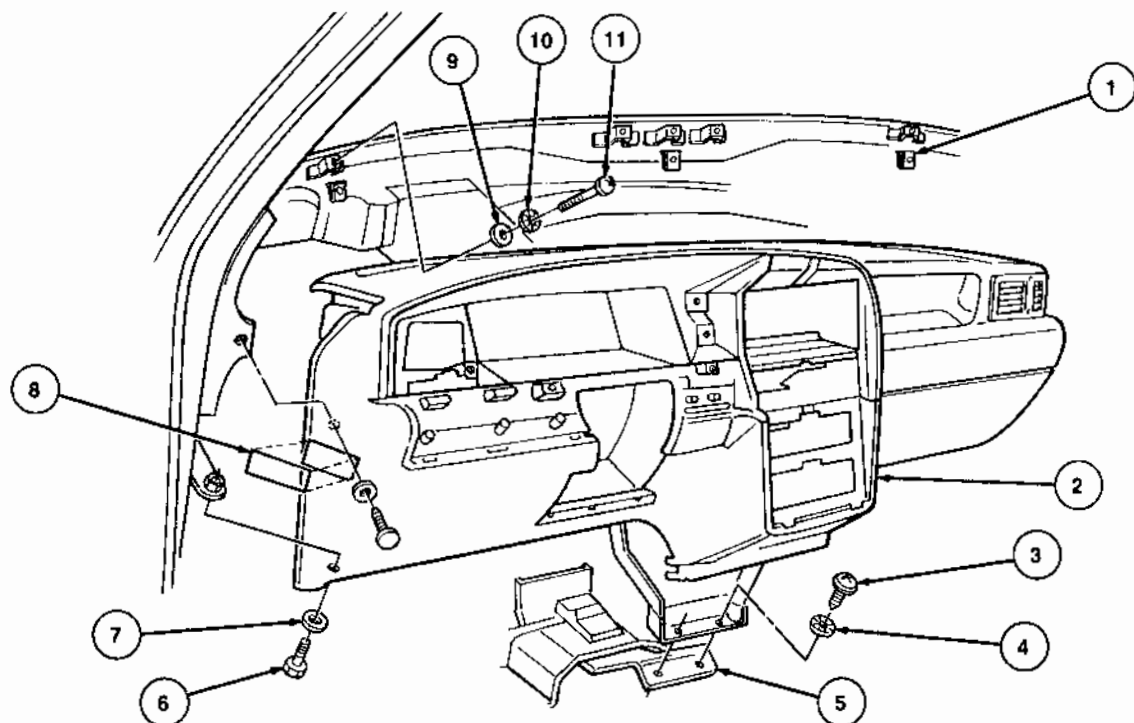
5. Install glove compartment support with screws.
Install lamp.



6. With an assistant, position instrument panel on its support braces. Connect ducts and route wiring harness as needed.
7. Install two screws retaining instrument panel to steering column support.
8. Install two lockwashers and screws into center bracket. Tighten to 4-5 N·m (36-44 lb-in).

9. Install four washers and bolts into sides of instrument panel. Tighten to 7-10 N·m (62-88 lb-in).
10. Install access covers on both sides of instrument panel.
11. Install three screws on instrument panel near windshield. Tighten securely.

REMOVAL AND INSTALLATION (Continued)



R6658-B

Item	Part Number	Description
1	9989 40600	Clip (3 Req'd)
2	—	Instrument Panel
3	9986 50512B	Screw (2 Req'd)
4	9997 30500B	Lockwasher (2 Req'd)
5	—	Lower Bracket
6	V388500-S57	Bolt (4 Req'd)
7	32000	Washer (4 Req'd)
8	044F58	Access Panel
9	9995 20600B	Washer (3 Req'd)
10	E630317-S36C	Lockwasher (3 Req'd)
11	V800310-S36C	Screw (3 Req'd)

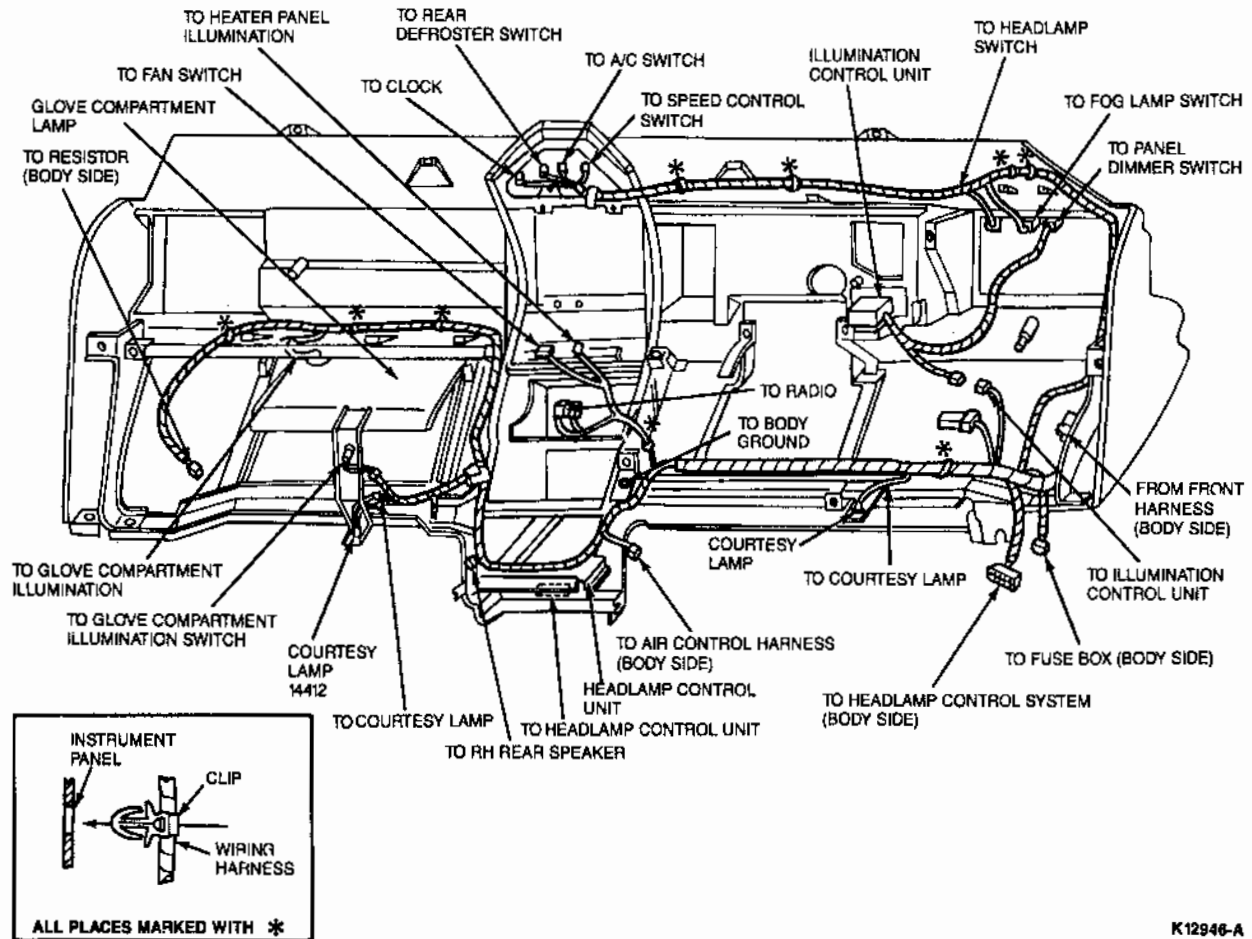
12. Fasten wiring harness to instrument panel.
13. Install heater or A/C control panel and connect cables. Refer to Section 12-02 or 12-03.
14. Install radio. Refer to Section 15-01.

15. Position hood release cable and tighten retaining nut.
16. Install steering column. Refer to Section 11-04.

REMOVAL AND INSTALLATION (Continued)

17. Install instrument cluster. Refer to Section 13-01.

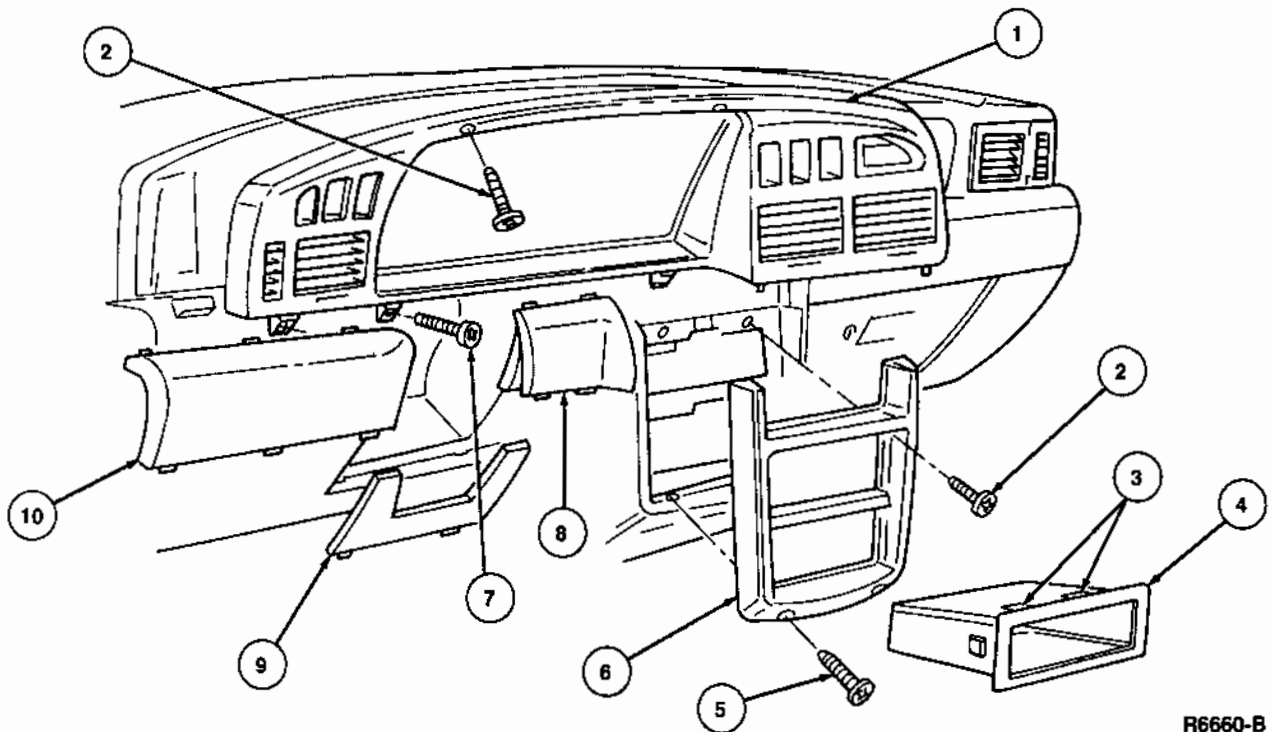
INSTRUMENT PANEL
WIRING HARNESS ROUTING



18. Install storage compartment, instrument cluster bezel, trim covers, and heater / radio bezel as outlined.
19. Install front and rear consoles as outlined.
20. Install left and right lower cowl trim panels. Refer to Section 01-05.

21. Connect negative battery cable.
22. Check all instruments and controls for proper operation.
23. Check for instrument panel rattles or squeaks. Service as required.

REMOVAL AND INSTALLATION (Continued)

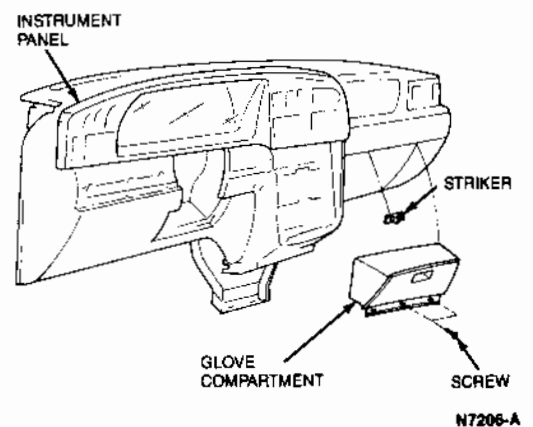


R6660-B

Item	Part Number	Description
1	044D70	Instrument Cluster Bezel
2	—	Upper Screw (2 Req'd)
3	—	Retaining Lugs
4	10B906	Storage Compartment
5	E6 10446-S36C	Lower Screw (2 Req'd)
6	90JA-18809-AAW	Heater / Radio Bezel
7	—	Lower Screw (3 Req'd)
8	04338	Right Trim Cover
9	04459	Center Trim Cover
10	04338	Left Trim Cover

Glove Compartment**Removal and Installation**

1. Squeeze in sides of glove compartment. Allow it to open completely.
2. Remove screws retaining hinge to the instrument panel. Remove glove compartment.

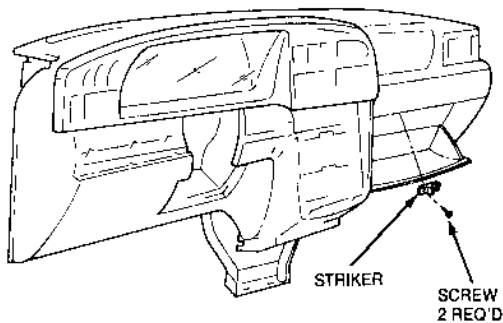


REMOVAL AND INSTALLATION (Continued)

3. To install, reverse Removal procedure. Check glove compartment door for proper operation, adjust latch if necessary.

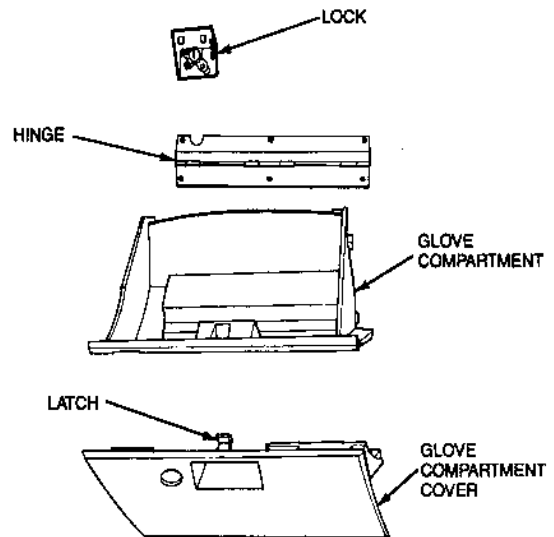
Striker, Glove Compartment**Removal and Installation**

1. Open glove compartment. Lightly mark location of striker on instrument panel.
2. Remove screws and striker.
3. Install striker and screws. Check operation. Adjust if required.



N6711-A

2. Separate halves of glove compartment and remove hinge.
3. Remove latch.



N6300-A

4. To install, reverse Removal procedure. Check glove compartment for proper operation.

Latch, Glove Compartment**Removal and Installation**

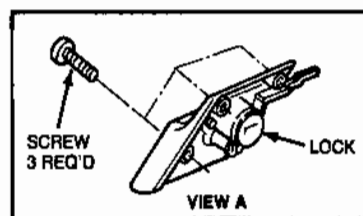
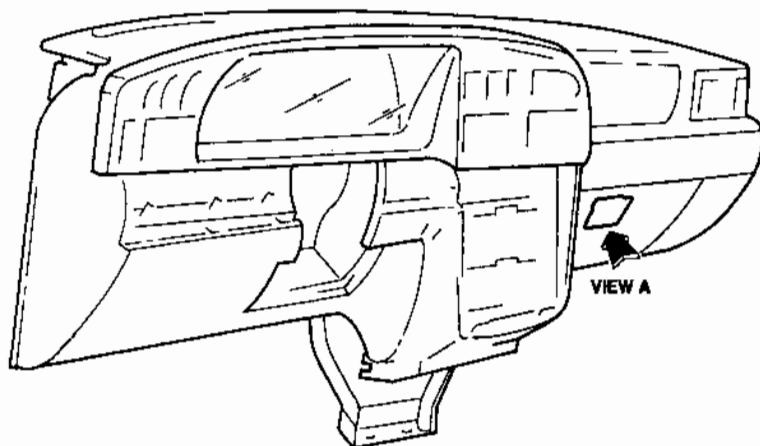
1. Remove glove compartment from instrument panel. Remove lock cylinder as outlined.

Lock, Glove Compartment**Removal and Installation**

1. Remove screws retaining lock assembly to inside of glove compartment.

REMOVAL AND INSTALLATION (Continued)

2. Disconnect linkage from latch and remove lock cylinder.



N8710-A

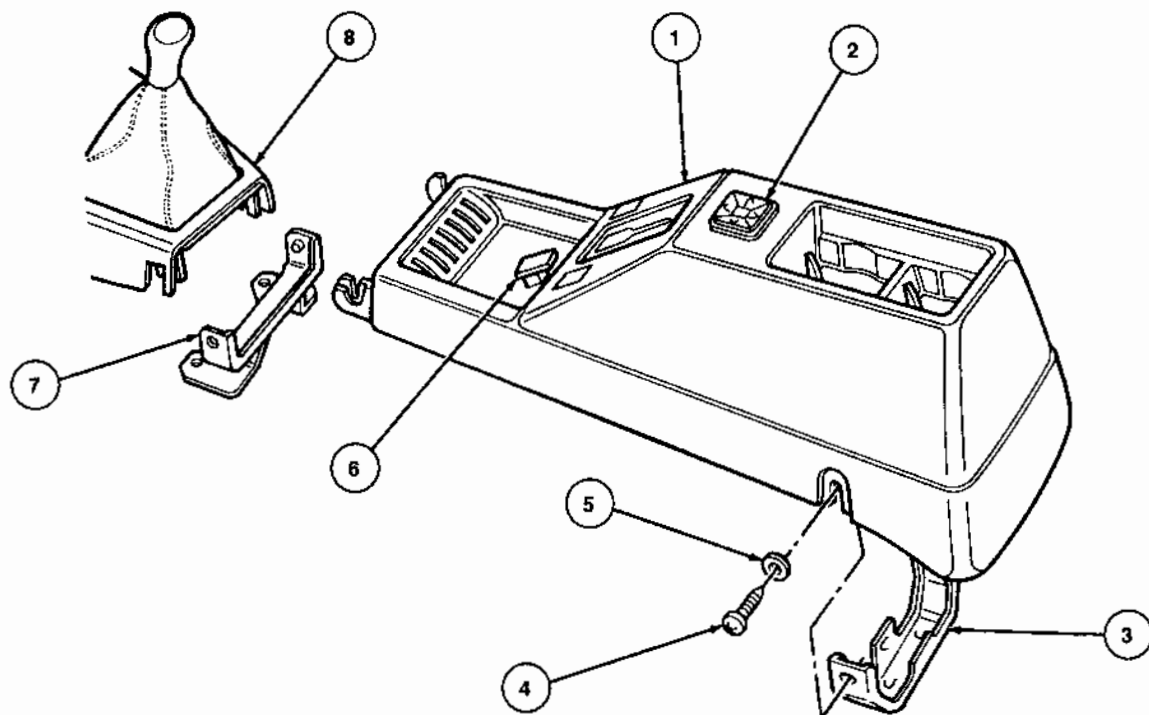
3. To install, reverse Removal procedure. Check door for proper operation.

Console, Rear**Removal**

1. Slide front seats completely forward.

2. Remove screws retaining the rear of the console.
3. Slide front seat completely rearward.
4. Remove the screws retaining the rear console to the front console.
5. Raise parking lever as far as it will go.
6. Raise the rear of the console and pull backwards to remove.

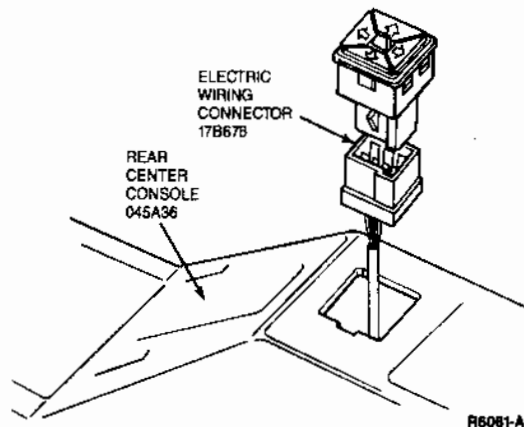
REMOVAL AND INSTALLATION (Continued)



R6090-B

Item	Part Number	Description
1	045A36	Rear Console
2	17B676	Power Side View Mirror Switch
3	B092 64431-A	Support Bracket
4	9986 50520B	Screw (4 Req'd)
5	V830 1525 36C	Washer (4 Req'd)
6	—	Headlamp Motor Switch
7	B092 64370	Support Bracket
8	7604567	Front Console

7. Disconnect wiring harness from mirror switch and headlamp motor switch.



R6081-A

Installation

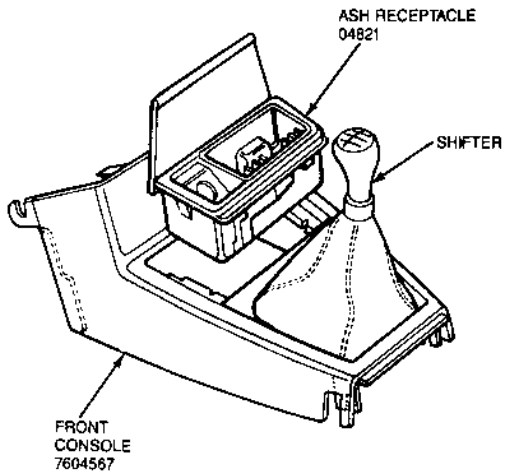
1. Connect wiring harness and position rear console in front console opening.
2. Install front screws in rear console.
3. Slide front seats completely forward.
4. Install screws in the back of the rear console.
5. Release parking brake lever.

Console, Front**Removal**

1. Remove rear console as outlined.
2. If equipped with an automatic transaxle, loosen the jam nut and unscrew shift handle.

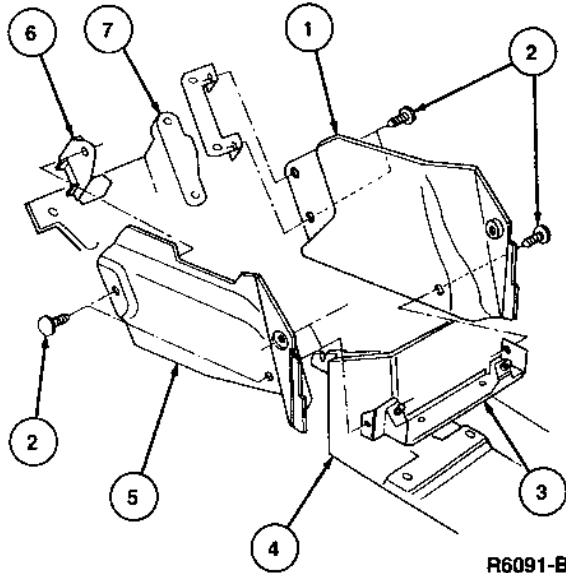
REMOVAL AND INSTALLATION (Continued)

3. Raise ash receptacle and disconnect wiring beneath it.



R6086-A

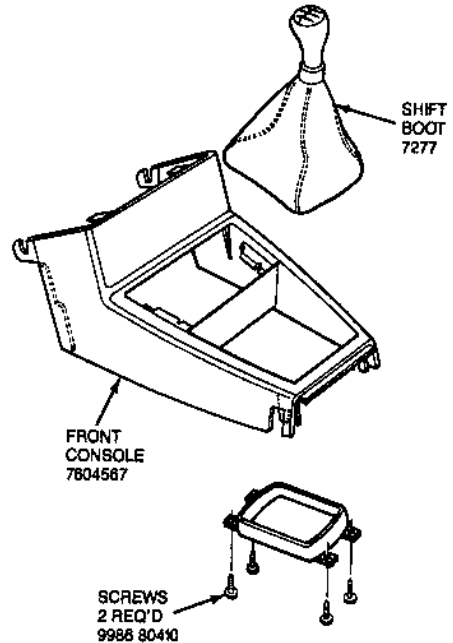
4. Remove center carpet panels.
5. Remove brackets if necessary.



R6091-B

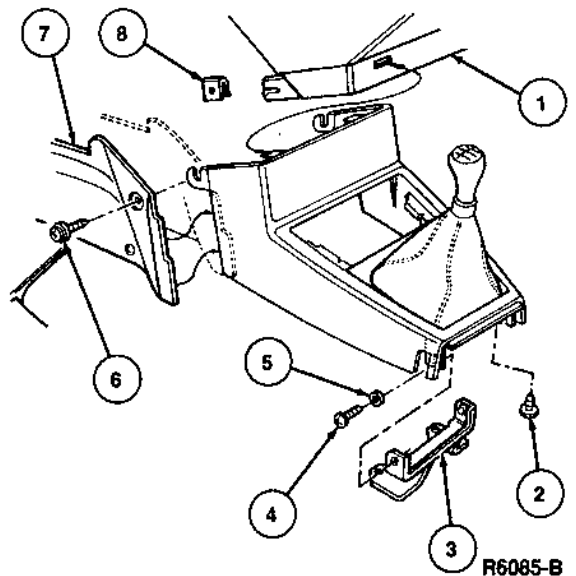
Item	Part Number	Description
1	045D72	RH Carpet Panel
2	BF7038865	Fastener
3	045A46	Bracket
4	760 4567	Front Console
5	—	LH Carpet Panel
6	045B37	Bracket
7	045B36	Bracket

6. If equipped with a manual transaxle, remove screws retaining manual shift lever boot to bottom of front console.



R6080-A

7. If equipped with a manual transaxle, remove screws and front console leaving shift knob and boot on shift lever.
8. Unscrew shift knob with boot and remove from shift lever if necessary.

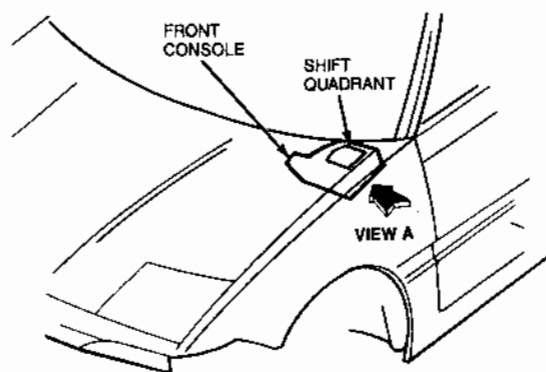


R6085-B

REMOVAL AND INSTALLATION (Continued)

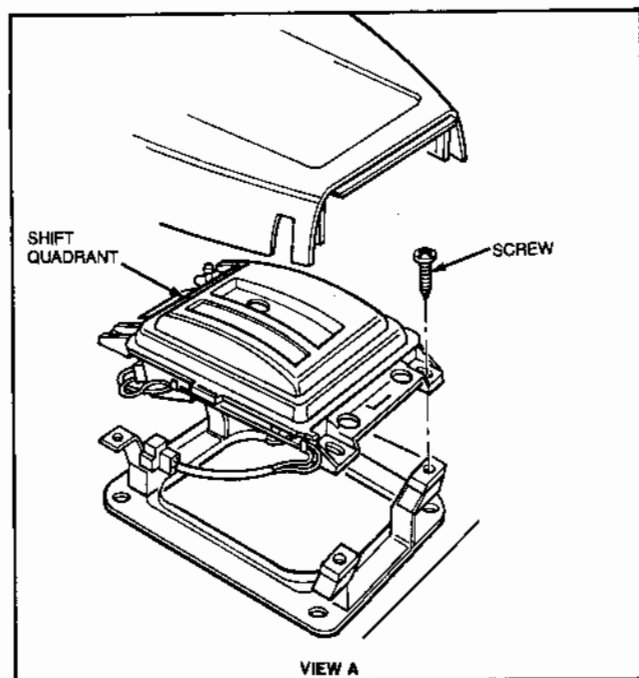
Item	Part Number	Description
1	045A12	Console Bracket
2	—	Screw (4 Req'd)
3	B092 64370	Console Bracket
4	99865 0520B	Screw
5	V83 0152-S36C	Washer

(Continued)



Item	Part Number	Description
6	9974 00620	Screw
7	—	Carpet Panel
8	—	J-Nut

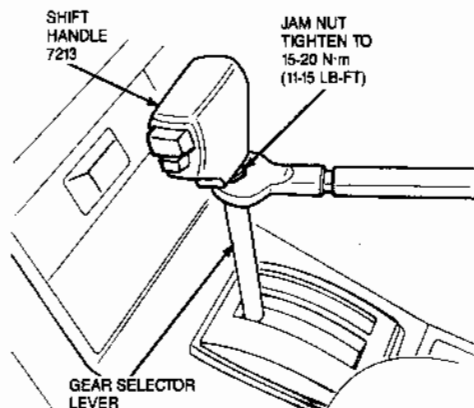
9. On vehicles equipped with an automatic transaxle, remove screws and shift quadrant. Disconnect shift quadrant lamp connector.



R6084-A

Installation

1. If equipped with an automatic transaxle, install the shift quadrant.
2. If equipped with a manual transaxle, install the shift knob and boot.
3. If equipped with a manual transaxle, position boot into console and install retaining screws.
4. Position front console covers and install retaining screws.
5. Position ash receptacle and connect wiring beneath it.
6. If equipped with an automatic transaxle, install shift handle. Tighten jam nut to 15-20 N·m (11-15 lb-ft).
7. Install rear console as outlined.

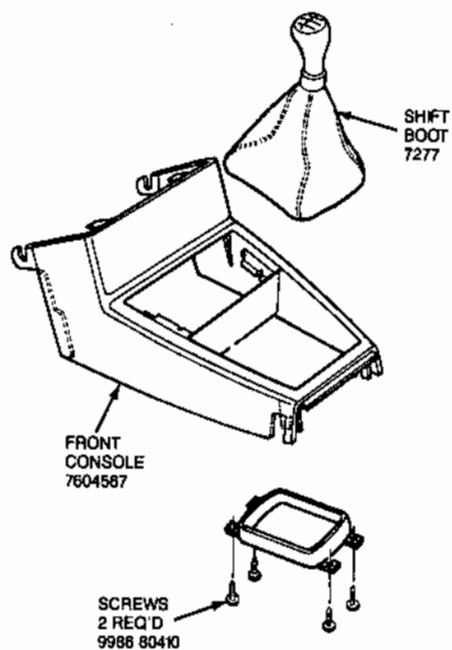


D7331-A

REMOVAL AND INSTALLATION (Continued)

Shifter Boot**Removal and Installation**

1. Remove front console as outlined.
2. Remove four screws retaining shifter boot and shifter knob to lower side of front console.
3. To install, reverse Removal procedure.



R6060-A

SPECIFICATIONS

TORQUE SPECIFICATIONS

Description	N-m	Lb-In
Shift Handle Jam nut	15-20	11-15 (Lb-Ft)
Center Bracket	4-5	36-44
Instrument Panel Side	7-10	62-88