



**REMOVAL AND INSTALLATION (Continued)**

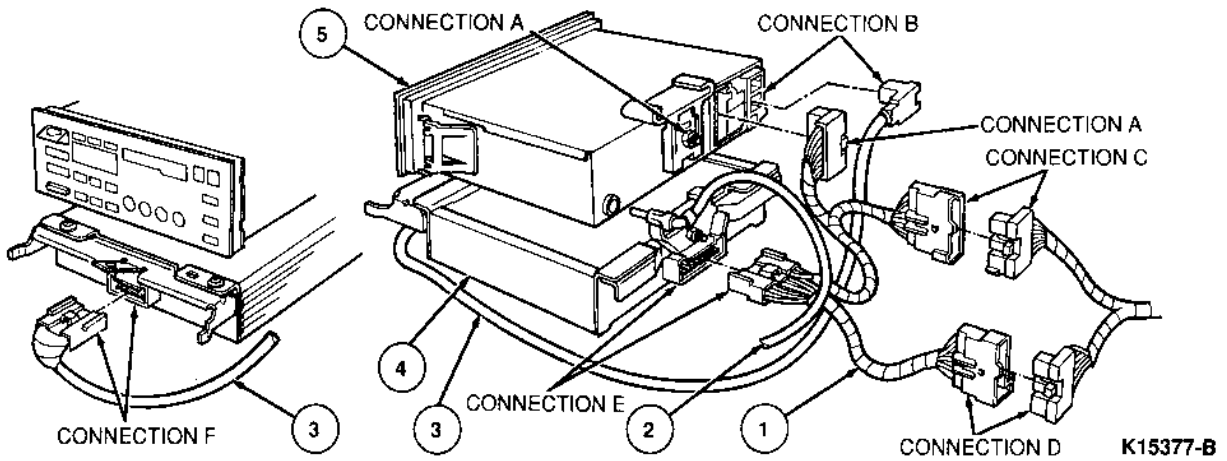
**Installation**

1. Install radio rear support.
2. Install nut on stud retaining radio rear support.
3. Plug antenna lead into receptacle.
4. Connect two wire harness connectors into proper receptacles.
5. Slide radio assembly into slot, maintaining proper alignment.
6. Install heater / radio bezel. Refer to Section 01-12.

**Premium Sound**

**Removal and installation**

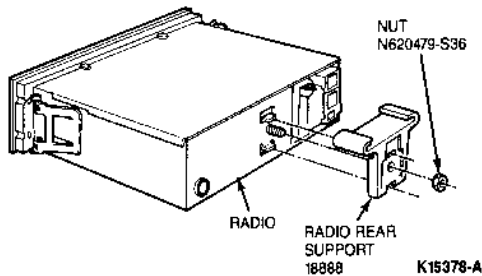
1. Remove heater / radio bezel. Refer to Section 01-12.
2. Insert Radio Removing Tool T87P-19061-A or equivalent into four removal holes in face of radio.
3. Slide radio out from track.
4. Disconnect antenna cable.
5. Disconnect shielded cable from radio (connection B).



| Item | Part Number | Description         |
|------|-------------|---------------------|
| 1    | 15041       | Wiring Assy         |
| 2    | —           | Antenna Cable       |
| 3    | 14588       | Shielded Cable      |
| 4    | —           | Amplifier           |
| 5    | —           | Premium Sound Radio |

6. Disconnect premium sound adapter harness to radio (connection A).
7. Remove radio rear support retaining nut and support.

8. To install, reverse Removal procedure.

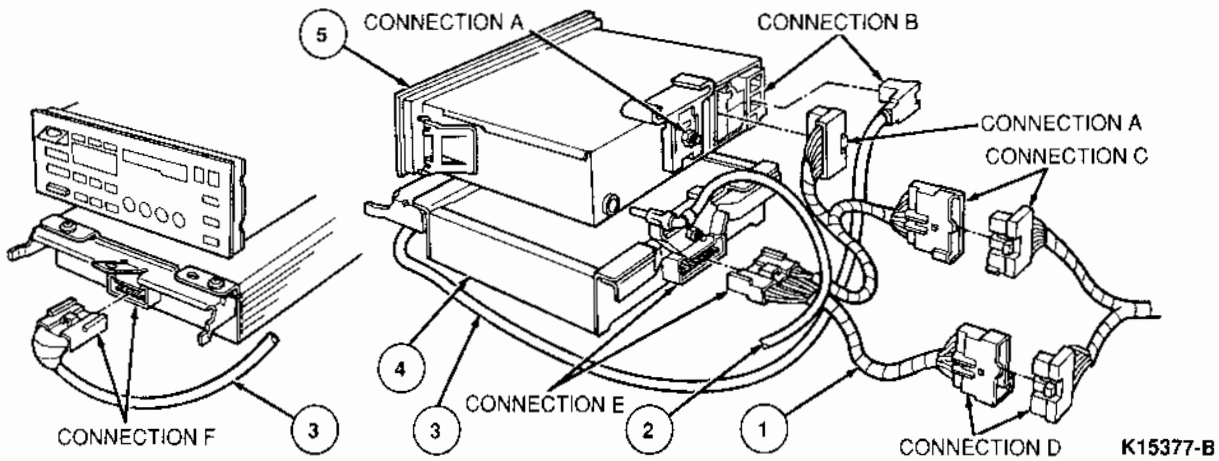


**Premium Sound Amplifier**

**Removal and Installation**

1. Remove heater / radio bezel. Refer to Section 01-12.
2. Remove screw at top of opening, retaining amplifier to instrument panel.
3. Disconnect shielded amplifier connector from front of amplifier (connection F).
4. Slide amplifier out from track while holding shielded cable aside.
5. Disconnect premium sound adapter to amplifier 14-pin connector (connection E).

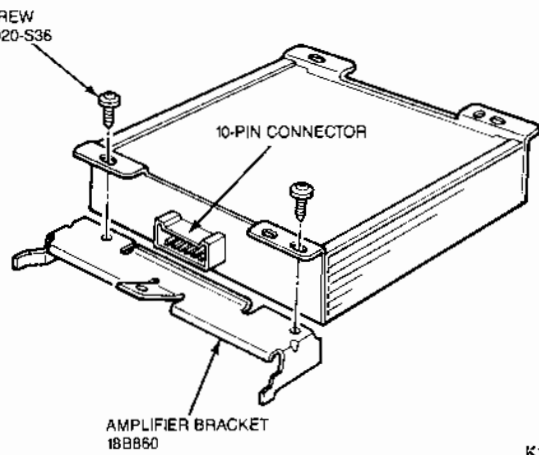
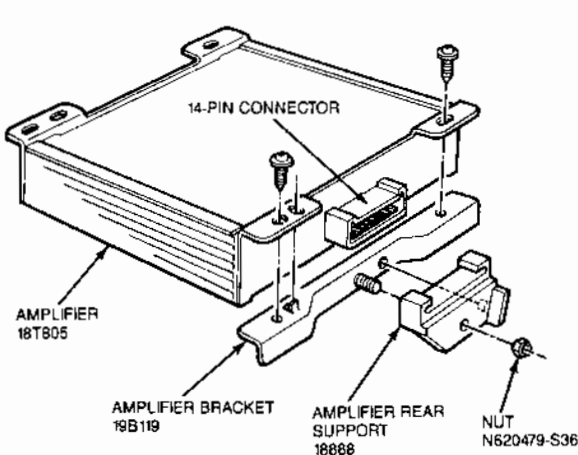
**REMOVAL AND INSTALLATION (Continued)**



| Item | Part Number | Description         |
|------|-------------|---------------------|
| 1    | 15041       | Wiring Assy         |
| 2    | —           | Antenna Cable       |
| 3    | 14588       | Shielded Cable      |
| 4    | —           | Amplifier           |
| 5    | —           | Premium Sound Radio |

6. Remove amplifier rear support from amplifier bracket.

7. Remove amplifier brackets (18B860 and 19B119) from amplifier. Notice that bracket (19B119) is attached to 14-pin connector side of amplifier.



8. To install, reverse Removal procedure.

**SPECIAL SERVICE TOOLS**

| Tool Number  | Description         |
|--------------|---------------------|
| T87P-19061-A | Radio Removing Tool |