

## SECTION 01-10 Seats and Tracks

SUBJECT	PAGE	SUBJECT	PAGE
<b>DESCRIPTION</b>		<b>REMOVAL AND INSTALLATION (Cont'd.)</b>	
Seat, Rear.....	01-10-1	Seat Back Cover and Cushion .....	01-10-7
Seats, Front.....	01-10-1	Seat Back, Front.....	01-10-6
<b>REMOVAL AND INSTALLATION</b>		Seat Cover and Cushion.....	01-10-3
Actuator Lock Set, Rear Seat Back Latch .....	01-10-16	Seat Height Adjuster, LH Front Seat .....	01-10-13
Cable Actuator, Rear Seat Back Latch.....	01-10-15	Seat Height Adjustment Mechanism Control Assembly, LH Front Seat.....	01-10-12
Head Restraint and Cover, Front Seat.....	01-10-11	Seat Track Assembly, Front .....	01-10-2
Latch Cable, Rear Seat Back .....	01-10-15	Seat, Front .....	01-10-1
Latch, Rear Seat Back.....	01-10-14	<b>SPECIAL SERVICE TOOLS</b> .....	01-10-16
Lumbar Support Assembly, LH Front Seat .....	01-10-12	<b>SPECIFICATIONS</b> .....	01-10-16
Reclining Mechanism, Front Seat .....	01-10-10	<b>VEHICLE APPLICATION</b> .....	01-10-1

### VEHICLE APPLICATION

Capri.

### DESCRIPTION

#### Seats, Front

The front seats are singular bucket style units. The driver's seat incorporates mechanisms for a reclining seat back, lumbar adjustment, height adjustment and fore-and-aft movement. The passenger's seat incorporates mechanisms for a reclining seat back, and fore-and-aft movement only.

#### Seat, Rear

The rear seat back is hinged to allow access to the luggage compartment. The release actuator is located in the driver's door jamb. A cable connects the actuator to the latch.

A key-operated lock secures the release actuator to prevent entry to the luggage compartment.

The rear seat cushion is secured to the floor by metal hooks that lock into floor brackets.

### REMOVAL AND INSTALLATION

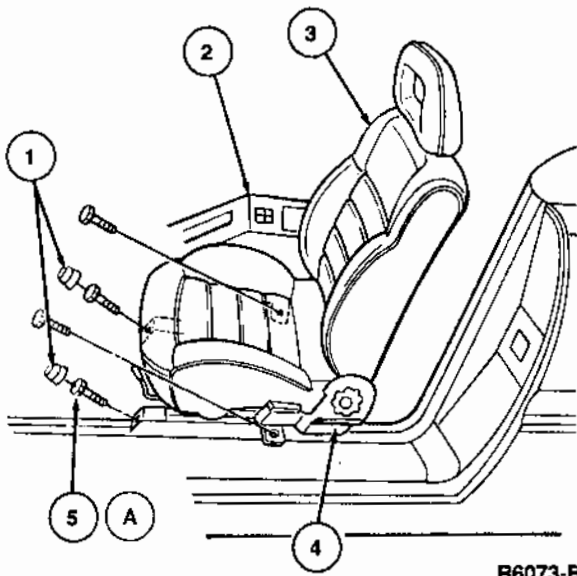
#### Seat, Front

##### Removal

1. Remove two bolt caps and bolts retaining front of seat assembly to floor.

2. Remove two or three bolts retaining rear of seat to floor.
3. Carefully remove seat assembly from vehicle.

## REMOVAL AND INSTALLATION (Continued)



Item	Part Number	Description
1	63512	Front Bolt Cap
2	—	Center Console
3	—	Seat
4	—	Reclining Mechanism
5A	V800359-S36C	Bolt (4 Req'd)
A		Tighten to 37-56 N-m (27-42 lb-ft)

**Installation**

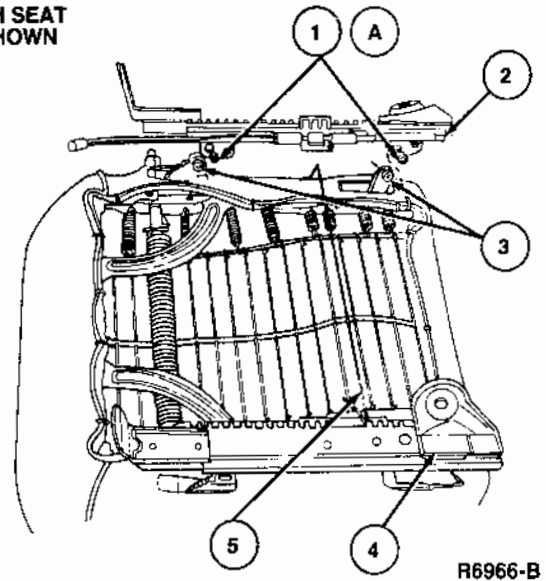
1. Position seat assembly into vehicle.
2. Install two front bolts.
3. Install two rear bolts (three on driver's side).
4. Tighten bolts to 37-56 N-m (27-42 lb-ft). Install bolt caps on front bolts.
5. Check all seat functions for proper operation.

**Seat Track Assembly, Front****Removal**

1. Remove seat assembly as outlined.
2. Place seat upside-down on a clean work surface.
3. Note position of seat adjustment control wire for proper installation and remove.
4. On RH seat, remove seat track spring. Drill out three rivets and remove front stop on each track. Remove four bolts securing track-to-seat frame.

NOTE: Observe position of bushings between tracks and seat frame. Long 40mm (1.57 inch) bushings are at front of tracks. Short 33mm (1.29 inch) bushings are at rear of tracks.

5. On LH seat, remove nuts securing seat track-to-seat frame. Note position of seat adjustment and spacers between tracks and frame, for proper installation.
6. Remove seat track.

**LH SEAT SHOWN**

Item	Part Number	Description
1A	V820189-S36D	Retaining Nut (2 Req'd)
2	61704	Seat Track
3	61782	Spacer
4	61705	Seat Track
5	61726	Seat Adjustment Control Wire
A		Tighten to 12-15 N-m (9-11 lb-ft)

**Installation**

1. On LH seat, position spacers and position seat track onto studs. Ensure adjustment position is equal on both seat tracks.
2. Install retaining nuts. Tighten to 12-15 N-m (9-11 lb-ft).
3. On RH seat, align seat tracks with seat frame making sure bushings are positioned between tracks and frame (long bushings at front of track and short bushings at rear of track). Install retaining bolts and tighten to 12-15 N-m (9-11 lb-ft).
4. Install seat adjustment control wire as removed.  
NOTE: Improper installation of the seat adjustment wire can cause the adjustment unit to function improperly.
5. On RH seat, install seat track spring. Rivet stops to front of tracks.
6. Install seat as outlined.

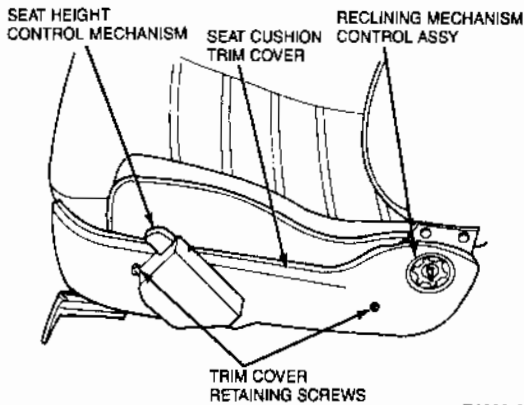
## REMOVAL AND INSTALLATION (Continued)

## Seat Cover and Cushion

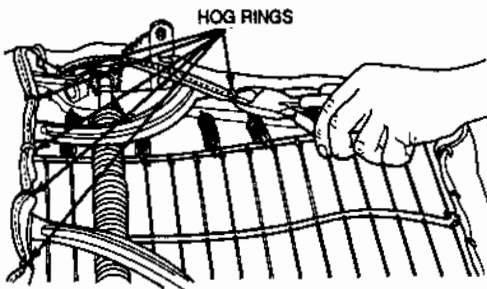
## Front Seat

## Removal

1. Remove seat as outlined.
2. Remove seat back and tracks as outlined.
3. Remove height adjustment control assembly as outlined (LH seat only).
4. Remove trim cover.

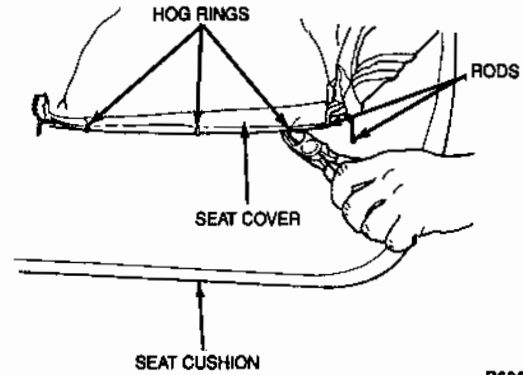


5. Cut and remove hog rings retaining cushion cover to seat frame.



R6967-A

**CAUTION:** Some hog rings are connected to metal rods embedded in the seat cushion. Use care when removing seat cover to prevent tearing rods from cushion.

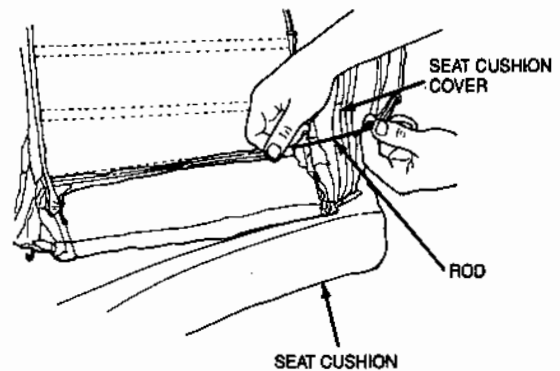


R6968-A

6. Carefully roll seat cover up and cut hog rings from seat cushion. Remove cushion cover.
7. Remove seat cushion, if necessary.

## Installation

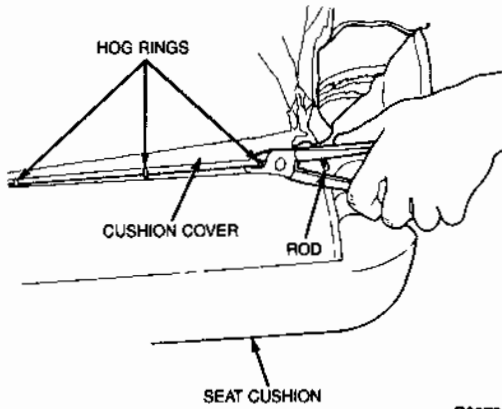
1. Position cushion on seat frame, if removed.
2. Ensure rods are inserted in seat cushion cover.



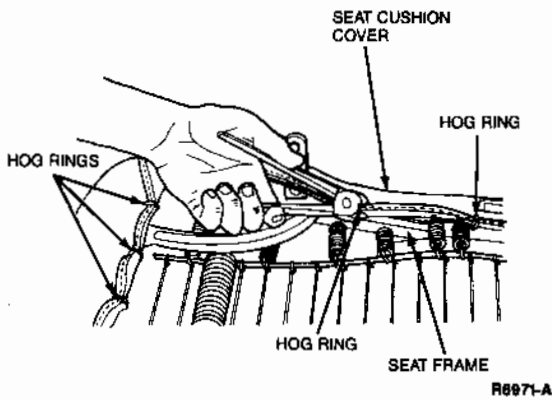
R6969-A

**REMOVAL AND INSTALLATION (Continued)**

3. Position cushion cover and install hog rings to rods embedded in cushion.



4. Fit cushion cover around seat frame and install hog rings.

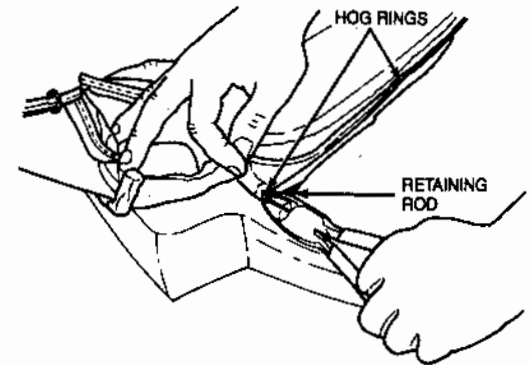
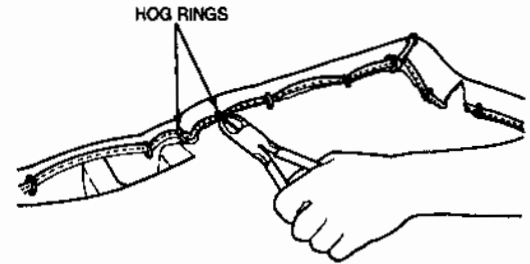


5. Install seat back and seat tracks as outlined.
6. Install trim cover.
7. Install height control assembly as outlined (LH seat only).

8. Install seat as outlined.

**Rear Seat****Removal**

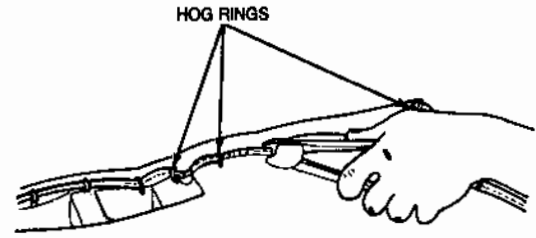
1. Push down and back on seat cushion then lift to release seat cushion retaining hooks.
2. Remove hog rings and seat cushion cover if necessary. Note that cover is glued to cushion.



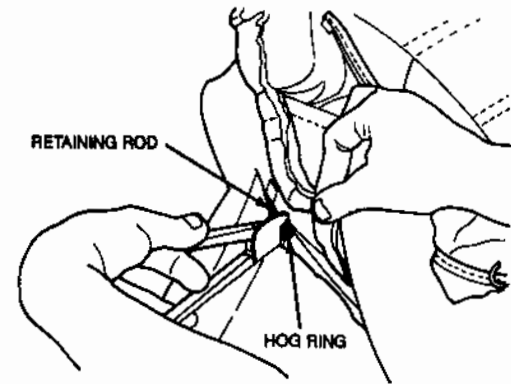
R6995-A

**REMOVAL AND INSTALLATION (Continued)****Installation**

1. Install cover with hog rings if removed.



BOTTOM VIEW



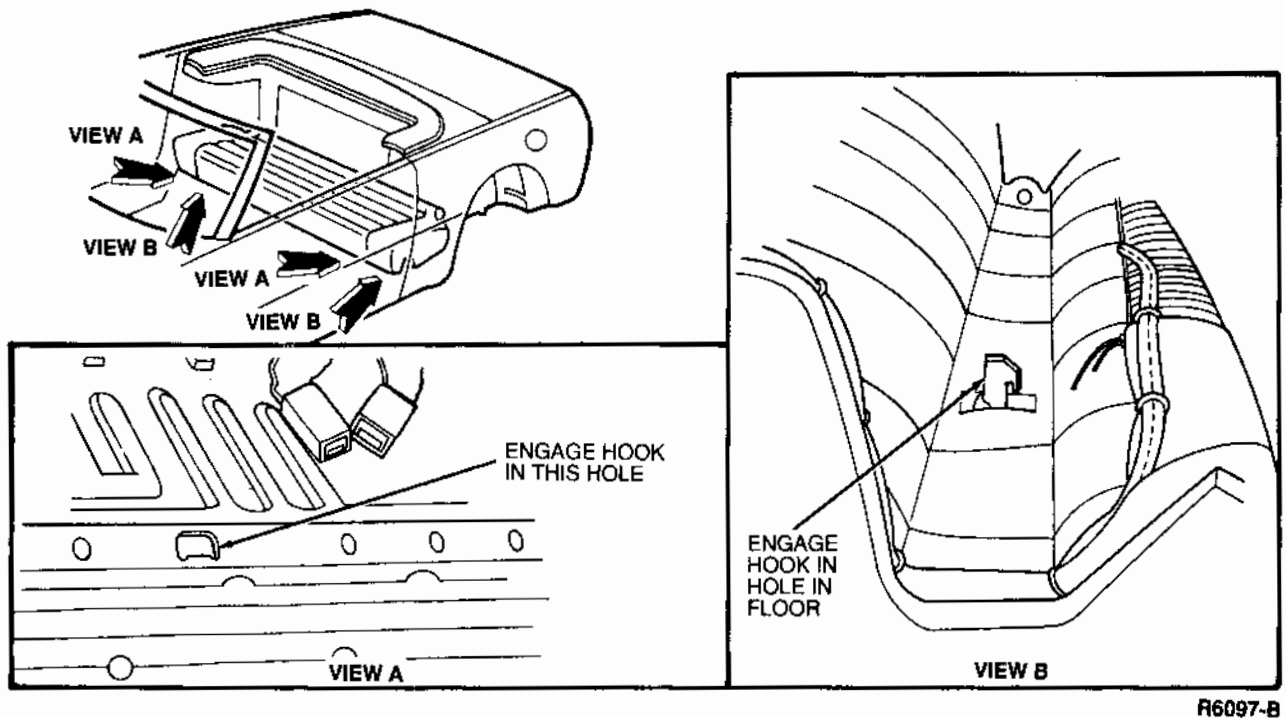
TOP VIEW

R6996-A

2. Position safety belts.

## REMOVAL AND INSTALLATION (Continued)

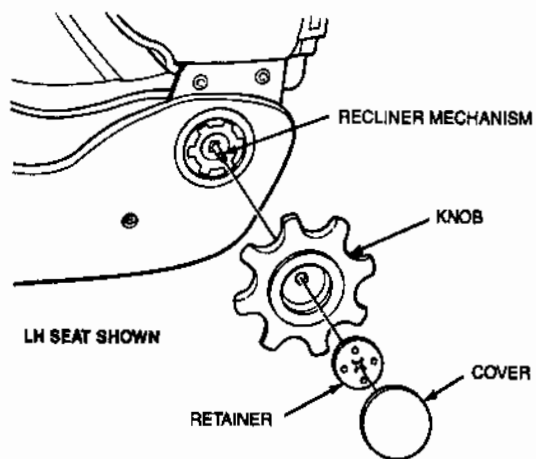
- Position seat cushion and push down. Pull forward and up to make sure retaining hooks are locked in place.



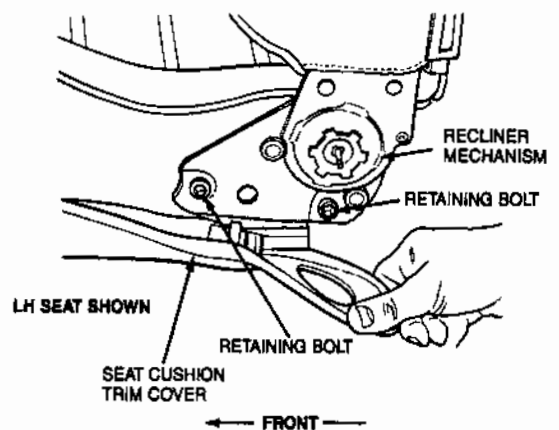
### Seat Back, Front

#### Removal

- Remove seat as outlined. Place seat on workbench.
- Remove recliner knob, cover and retainer.

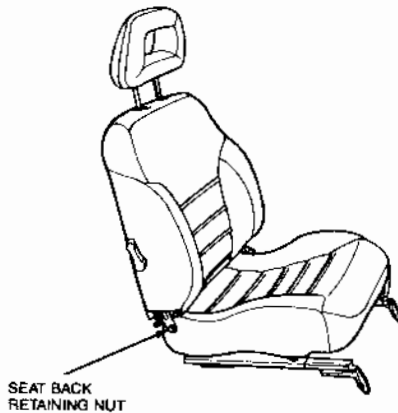


- Remove seat cushion trim cover retaining screws.
- Carefully pull back trim cover and remove seat back recliner retaining bolts. On RH seat only, disconnect seat track release cable.



**REMOVAL AND INSTALLATION (Continued)**

5. Remove seat back retaining nut. Remove seat back.



LH SEAT SHOWN

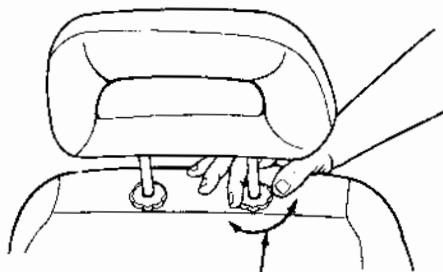
R6974-A

**Installation**

1. Position seat back to seat cushion.
2. Install retaining nut. Tighten to 15-19 N·m (11-14 lb-ft). Install reclining mechanism retaining bolts. Tighten to 31-41 N·m (23-30 lb-ft).
3. On RH seat only, connect seat track release cable.
4. Install seat cushion trim cover retaining screws.
5. Install recliner knob, retainer and cover.

**Seat Back Cover and Cushion****Front Seat****Removal**

1. Remove seat back as outlined.
2. Remove head restraint by turning retainer in direction of arrow and lifting off head restraint.

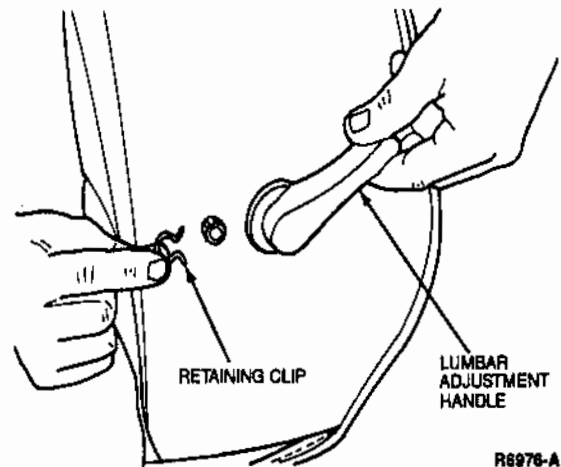


TURN IN DIRECTION  
OF ARROW WHILE  
LIFTING HEAD RESTRAINT

LH SEAT SHOWN

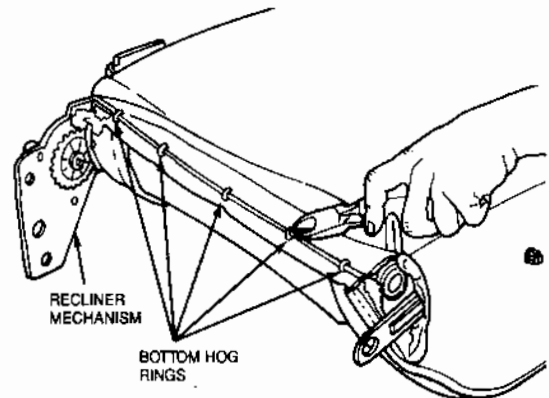
R6975-A

3. Remove lumbar adjustment handle by removing retaining clip (LH seat only).



R6976-A

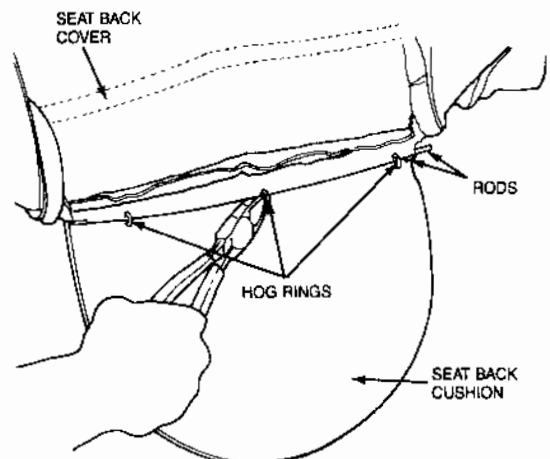
4. Remove bottom hog rings.



LH SEAT SHOWN

R6977-A

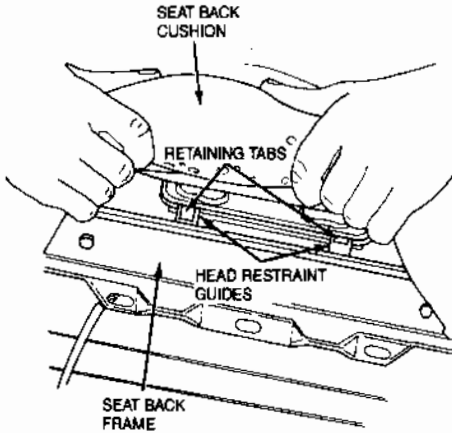
5. Carefully roll up cover and remove hog rings attached to rod in seat back cushion.



R6978-A

**REMOVAL AND INSTALLATION (Continued)**

6. Release head restraint guide retaining tabs and remove guides.

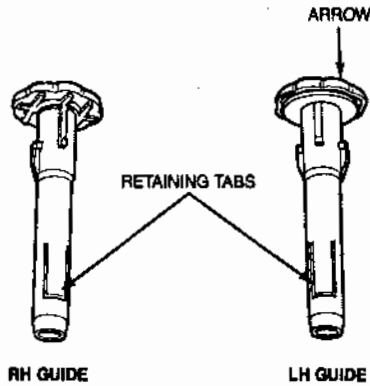


R6979-A

7. Remove seat back cover.  
8. Remove cushion, if necessary.

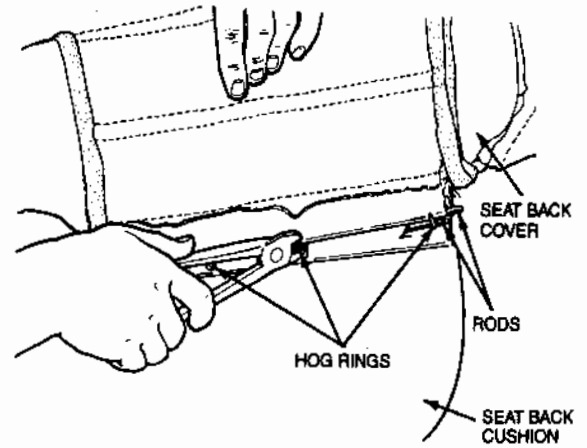
**Installation**

1. Position cushion to seat back frame.  
2. Position seat back cover to top of seat back. Install head restraint guides. Ensure arrow on LH guide points toward front. Ensure retaining tabs are secure.



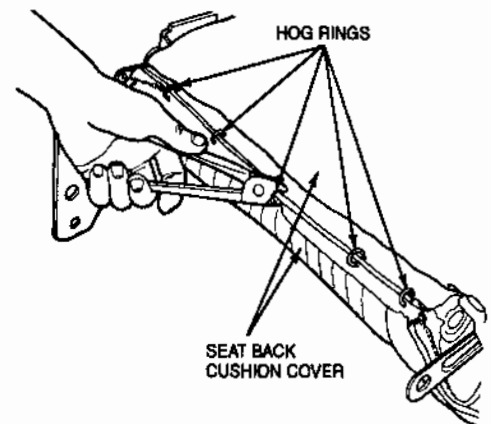
R6980-A

3. Unroll cover down to rod in cushion. Ensure rod is in position in cover. Install hog rings.



R6981-A

4. Carefully unroll cover. Install bottom hog rings.



R6982-A

5. Install lumbar adjustment handle and retaining clip.  
6. Install head restraint.  
7. Install seat back as outlined.  
8. Install seat as outlined.

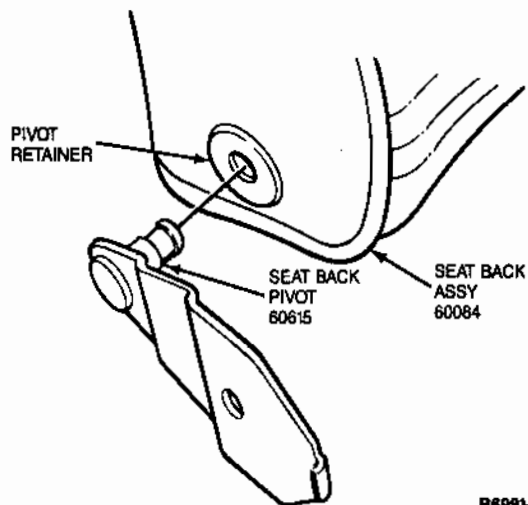
**Rear Seat****Removal**

1. Fold seat back down by pulling up on release actuator.  
2. Remove pivot retaining bolt and washer from each side and remove seat back.



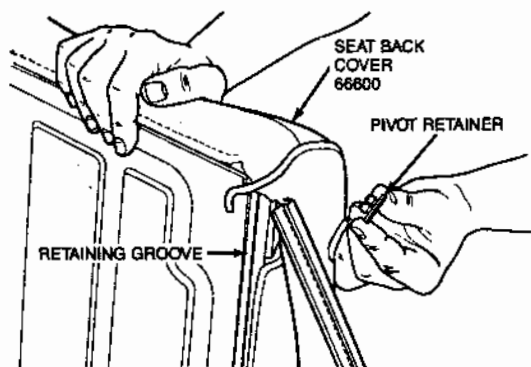
## REMOVAL AND INSTALLATION (Continued)

3. Remove seat back pivots.



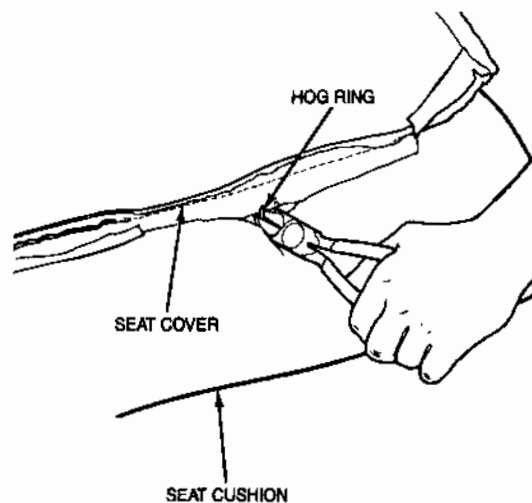
R6991-A

4. Roll seat back cover out of retaining groove. Remove pivot retainers.



R6992-A

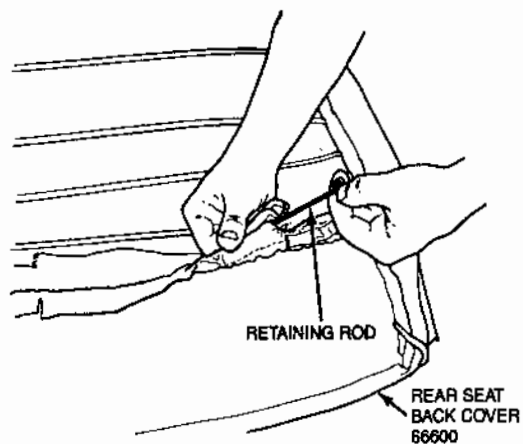
5. Roll back cover and cut hog rings.



R6997-A

**Installation**

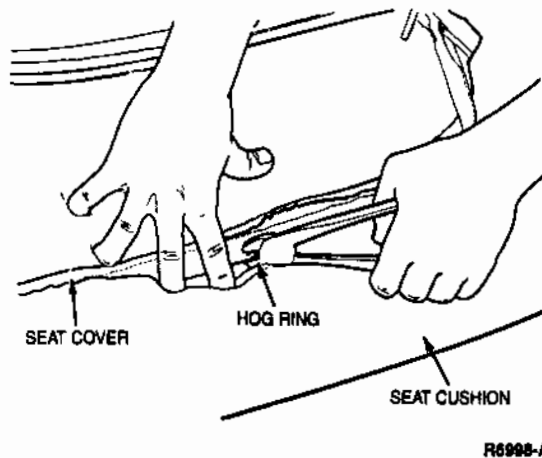
NOTE: If installing new seat cover, make sure retaining rod is in place in cover.



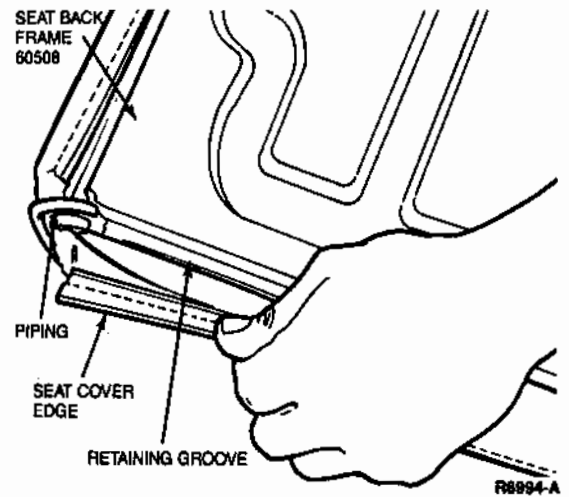
R6993-A

## REMOVAL AND INSTALLATION (Continued)

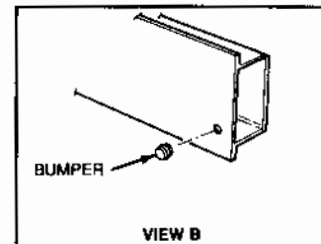
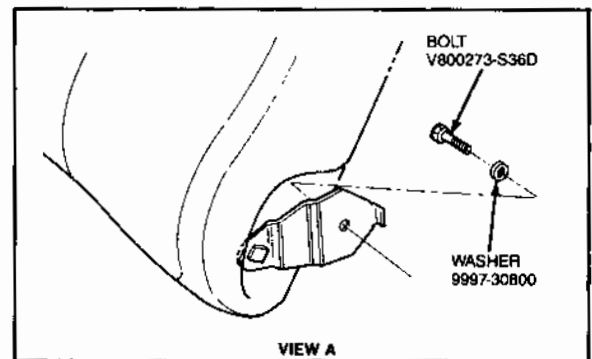
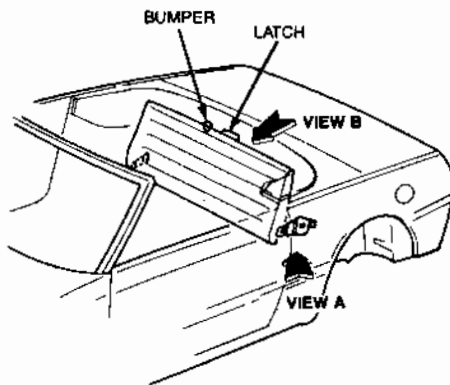
1. Position cover on cushion and install hog rings.



2. Insert cover edges into retaining groove, and insert piping in corners of seat back frame.



3. Install seat back pivots and pivot retainers.
4. Install seat back assembly. Make sure bumpers are in place behind seat back.



R6096-A

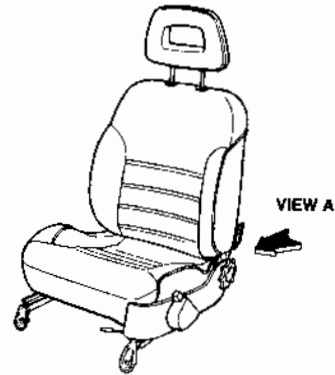
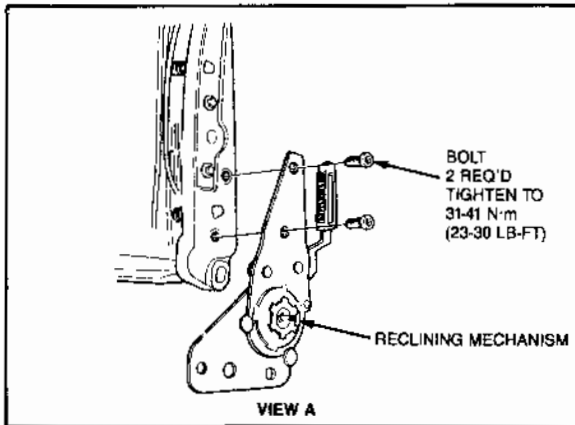
5. Place seat back into position and check operation of latch. Adjust latch if necessary.

### Reclining Mechanism, Front Seat Removal

1. Remove seat as outlined.
2. Remove seat back as outlined.
3. Remove bottom hog rings. Roll up cover to expose reclining mechanism.

**REMOVAL AND INSTALLATION (Continued)**

4. Remove reclining mechanism and retaining bolts.



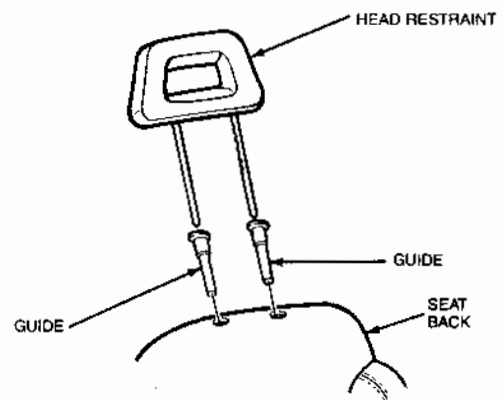
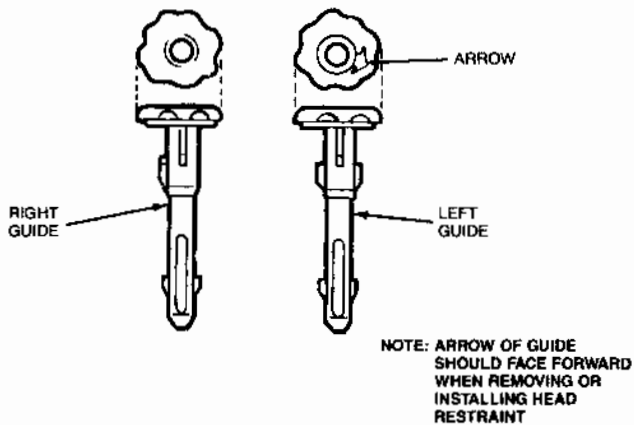
R6988-A

**Installation**

1. Position reclining mechanism and install retaining bolts. Tighten bolts to 31-41 N·m (23-30 lb-ft).
2. Position seat back cover and install bottom hog rings.
3. Install seat back to seat cushion as outlined.
4. Install seat as outlined.

**Head Restraint and Cover, Front Seat****Removal and Installation**

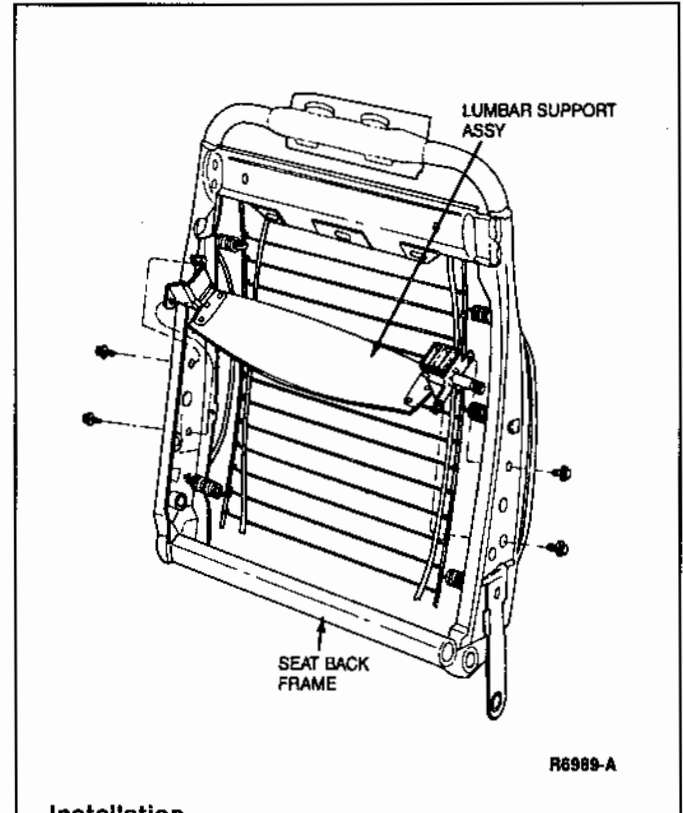
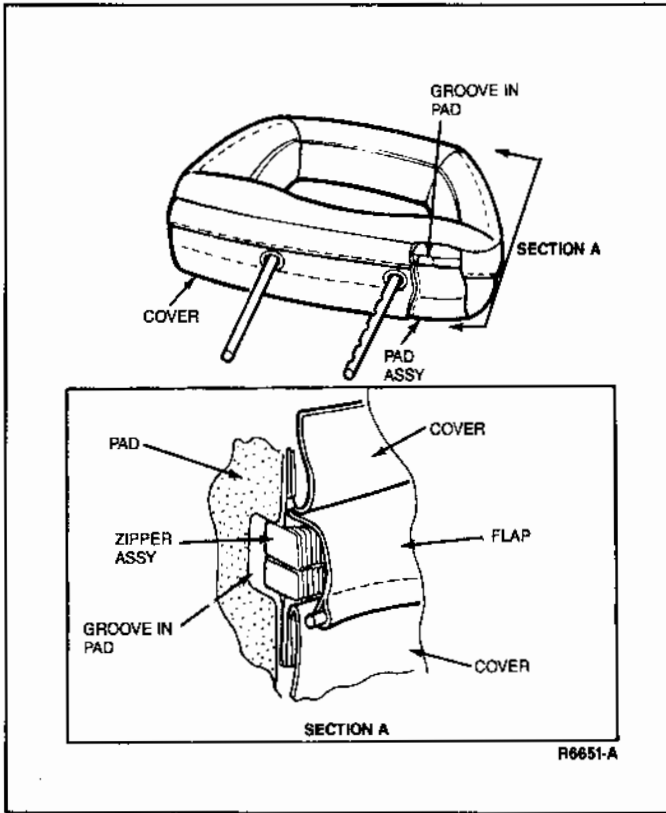
1. Rotate top of head restraint guide with arrow and lift head restraint off seat back.



R6654-A

2. Lift up on cover flap. Unzip cover.
3. Remove cover.

## REMOVAL AND INSTALLATION (Continued)



### Lumbar Support Assembly, LH Front Seat

#### Removal

1. Remove seat and seat back as outlined.
2. Remove seat back cover as outlined.
3. Remove lumbar support and retaining bolts.

#### Installation

1. Position lumbar support in seat back frame. Install retaining bolts.
2. Install seat back cover as outlined.
3. Install seat back as outlined.
4. Install seat as outlined.

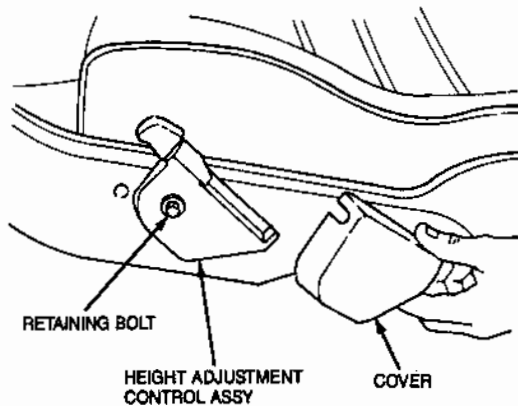
### Seat Height Adjustment Mechanism Control Assembly, LH Front Seat

#### Removal

1. Set adjustment to highest position.
2. Remove seat as outlined. Place on work bench.
3. Remove height adjustment cover.

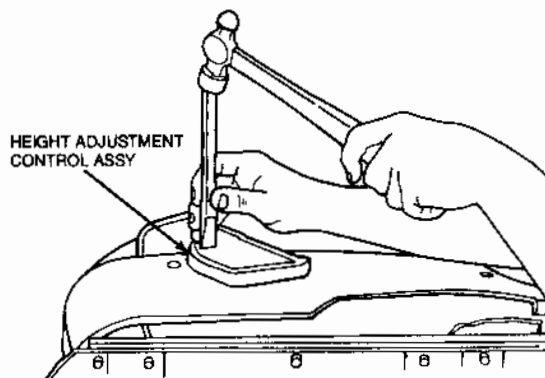
**REMOVAL AND INSTALLATION (Continued)**

4. Remove control assembly retaining bolt. DO NOT remove control assembly.



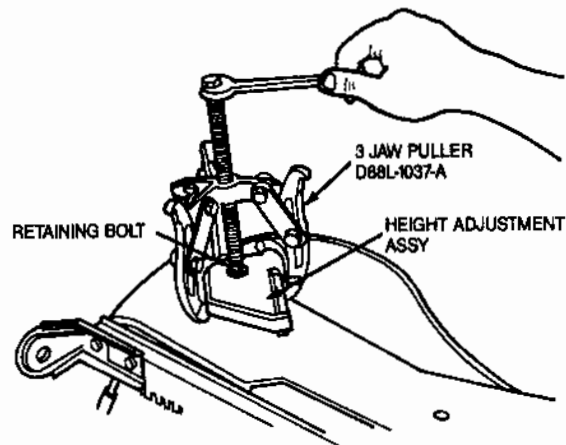
R6984-A

5. Mark position of control assembly on shaft.



R6985-A

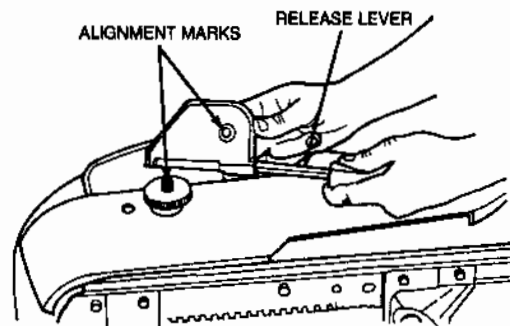
6. Loosely install control assembly retaining bolt. If necessary, use 3-Jaw Puller D88L-1037-A or equivalent to remove assembly.



R6986-A

**Installation**

1. Position alignment marks and install control assembly to shaft. Hold release lever in the extended position while installing.



R6987-A

2. Install retaining bolt.
3. Install height adjustment cover.
4. Install seat as outlined.
5. Check for proper operation.

**Seat Height Adjuster, LH Front Seat****Removal and Installation**

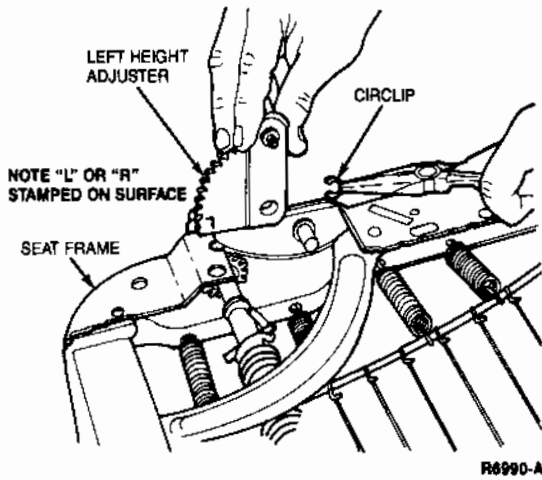
1. Remove seat as outlined.
2. Remove seat track as outlined.

**REMOVAL AND INSTALLATION (Continued)**

3. Remove height adjuster.

NOTE: Adjusters are marked "L" and "R" for correct installation.

4. To install, reverse Removal procedure.



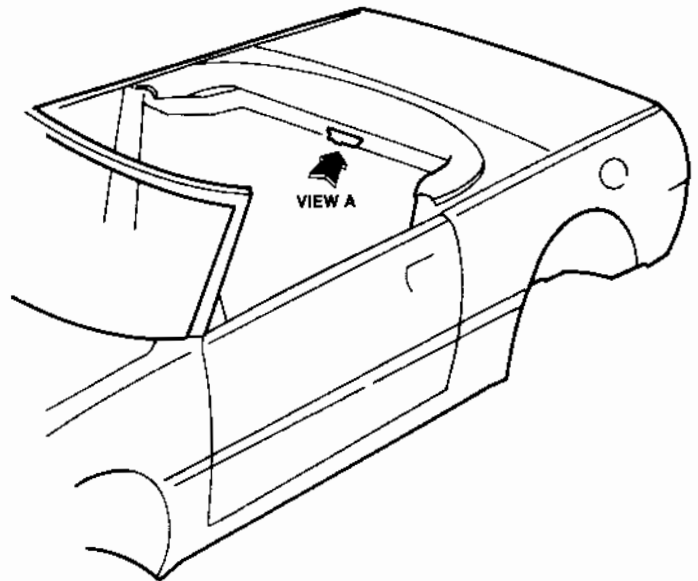
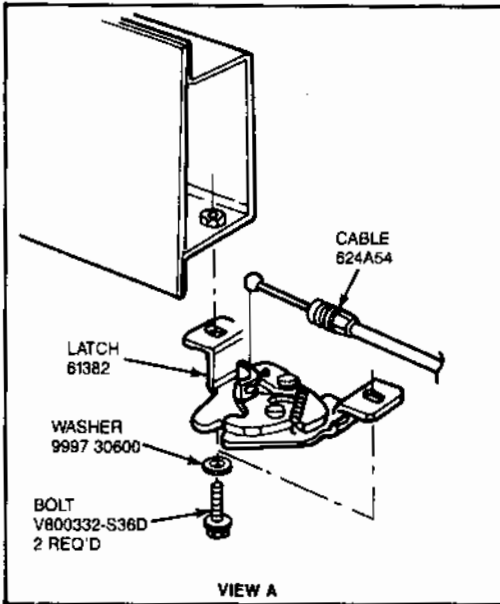
**Latch, Rear Seat Back**

**Removal**

2. Remove two bolts and latch.

3. Disengage cable end.

1. Fold seat back down by pulling up on release actuator (work through luggage compartment to manually release latch if required).



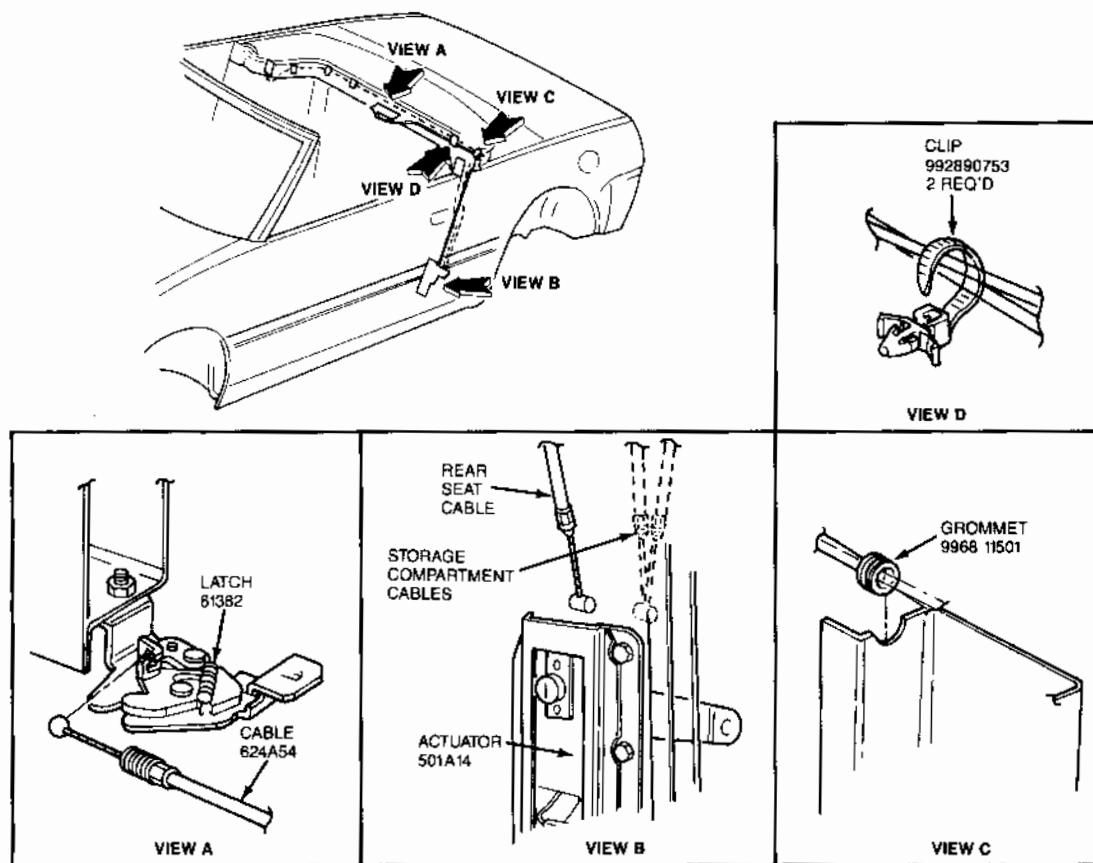
R6098-A

**REMOVAL AND INSTALLATION (Continued)****Installation**

1. Connect cable end.
2. Install latch with two bolts.
3. Place seat back into position and check operation of latch. Adjust latch if necessary.

**Latch Cable, Rear Seat Back****Removal**

1. Fold seat back down by pulling up on release actuator (work through luggage compartment to manually release latch if required).
2. Disengage cable end from latch.
3. Remove actuator as outlined.
4. Disengage cable end from actuator.
5. Remove clips and cable assembly.



R6099-A

**Installation**

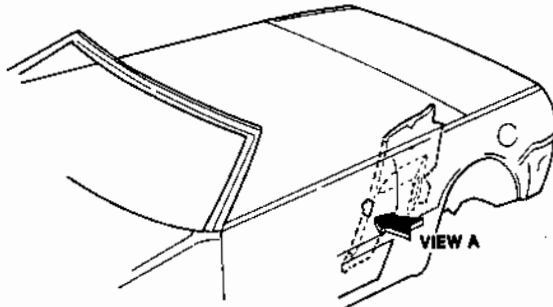
1. Make sure grommets are in place and route cable assembly.
2. Install clips.
3. Connect cable end to actuator.
4. Install actuator as outlined.
5. Connect cable end to latch.
6. Place seat back into position and check operation of latch. Adjust latch if necessary.

**Cable Actuator, Rear Seat Back Latch****Removal**

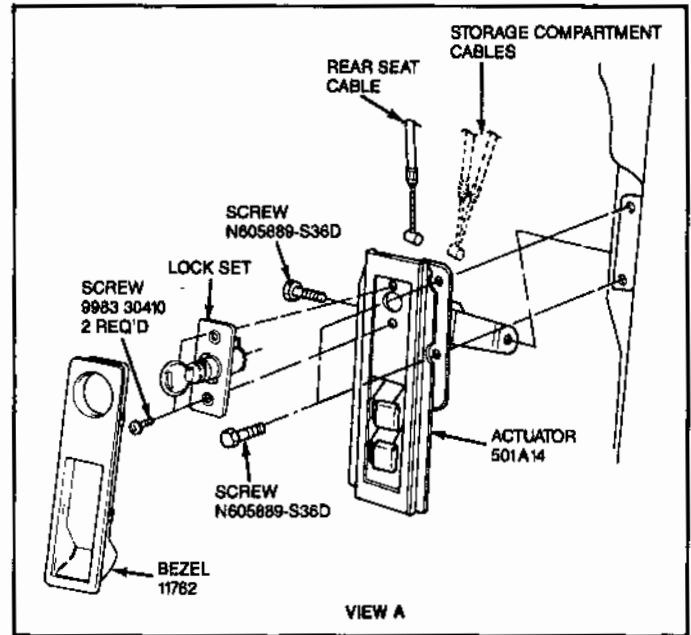
1. Remove actuator bezel.
2. Remove safety belt cover screw and lift cover up to access quarter trim panel screw.
3. Remove trim panel screw.
4. Disengage door weatherstrip from quarter panel.
5. Position quarter trim panel out of way.
6. Remove screws and actuator assembly.

**REMOVAL AND INSTALLATION (Continued)**

7. Position actuator to access cables and disengage cables from actuator.



8. Remove actuator.



R6100-A

**Installation**

1. Install actuator.
2. Connect cables to actuator.
3. Position actuator assembly and install screws.
4. Check actuator for proper operation.
5. Install quarter trim panel and door weatherstrip.
6. Install bezel.

**SPECIFICATIONS****TORQUE SPECIFICATIONS**

Description	N-m	Lb-Ft
Seat Retaining Bolts-to-Floor	37-56	27-42
Nuts Retaining Seat Track-to-Frame	12-15	9-11
Seat Back Retaining Nut	15-19	11-14
Reclining Mechanism Retaining Bolts	31-41	23-30

**Actuator Lock Set, Rear Seat Back Latch Removal and Installation**

1. Remove actuator bezel.
2. Turn lock set to locked position.
3. Remove two retaining screws from lock set and remove lock set.
4. To install, reverse Removal procedure.

**SPECIAL SERVICE TOOLS**

Tool Number	Description
D88L-1037-A	3-Jaw Puller