

HOW TO USE SYSTEM WIRING DIAGRAMS

Entire Article
1991 Mercury Capri

ARTICLE BEGINNING

GENERAL INFORMATION
Using Wiring Diagrams

All Models

INTRODUCTION

Mitchell obtains wiring diagrams and technical service bulletins, containing wiring diagram changes from the domestic and import manufacturers. These are checked for accuracy and are all redrawn into a consistent format for easy use.

In the past, when cars were simpler, diagrams were simpler. All components were connected by wires and diagrams seldom exceeded 4 pages in length. Today, some wiring diagrams require more than 16 pages. It would be impractical to expect a service technician to trace a wire from page 1 across every page to page 16.

Removing some of the wiring maze reduces eyestrain and time wasted searching across several pages. Today the majority of Mitchell diagrams follow a much improved format, which permits space for internal switch details.

Wiring diagrams are drawn in a "top-down" format. The diagrams are drawn with the power source at the top of the diagram and the ground point at the bottom of the diagram. Components locations are identified on the wiring diagrams. Any wires that don't connect directly to a component are identified on the diagram to indicate where they go.

COLOR ABBREVIATIONS

COLOR ABBREVIATIONS TABLE

AA

Color	Normal	Optional
Black	BLK	BK
Blue	BLU	BU
Brown	BRN	BN
Clear	CLR	CR
Dark Blue	DK BLU	DK BU
Dark Green	DK GRN	DK GN
Green	GRN	GN
Gray	GRY	GY
Light Blue	LT BLU	LT BU
Light Green	LT GRN	LT GN
Orange	ORG	OG
Pink	PNK	PK
Purple	PPL	PL
Red	RED	RD
Tan	TAN	TN
Violet	VIO	VI

HOW TO USE SYSTEM WIRING DIAGRAMS

Entire Article

1991 Mercury Capri

White WHT WT

Yellow YEL YL

AA

IDENTIFYING WIRING DIAGRAM ABBREVIATIONS

NOTE: Abbreviations used on Mitchell diagrams are normally self-explanatory. If necessary see **ABBREVIATIONS** article in GENERAL INFORMATION.

IDENTIFYING WIRING DIAGRAM SYMBOLS

NOTE: Standard wiring symbols are used in Mitchell diagrams. The illustration below will help clarify any symbols that are not easily understood at a glance. Most components are labeled "Motor", "Switch" or "Relay" in addition to being drawn with the standard symbol.

HOW TO USE SYSTEM WIRING DIAGRAMS

Entire Article

1991 Mercury Capri

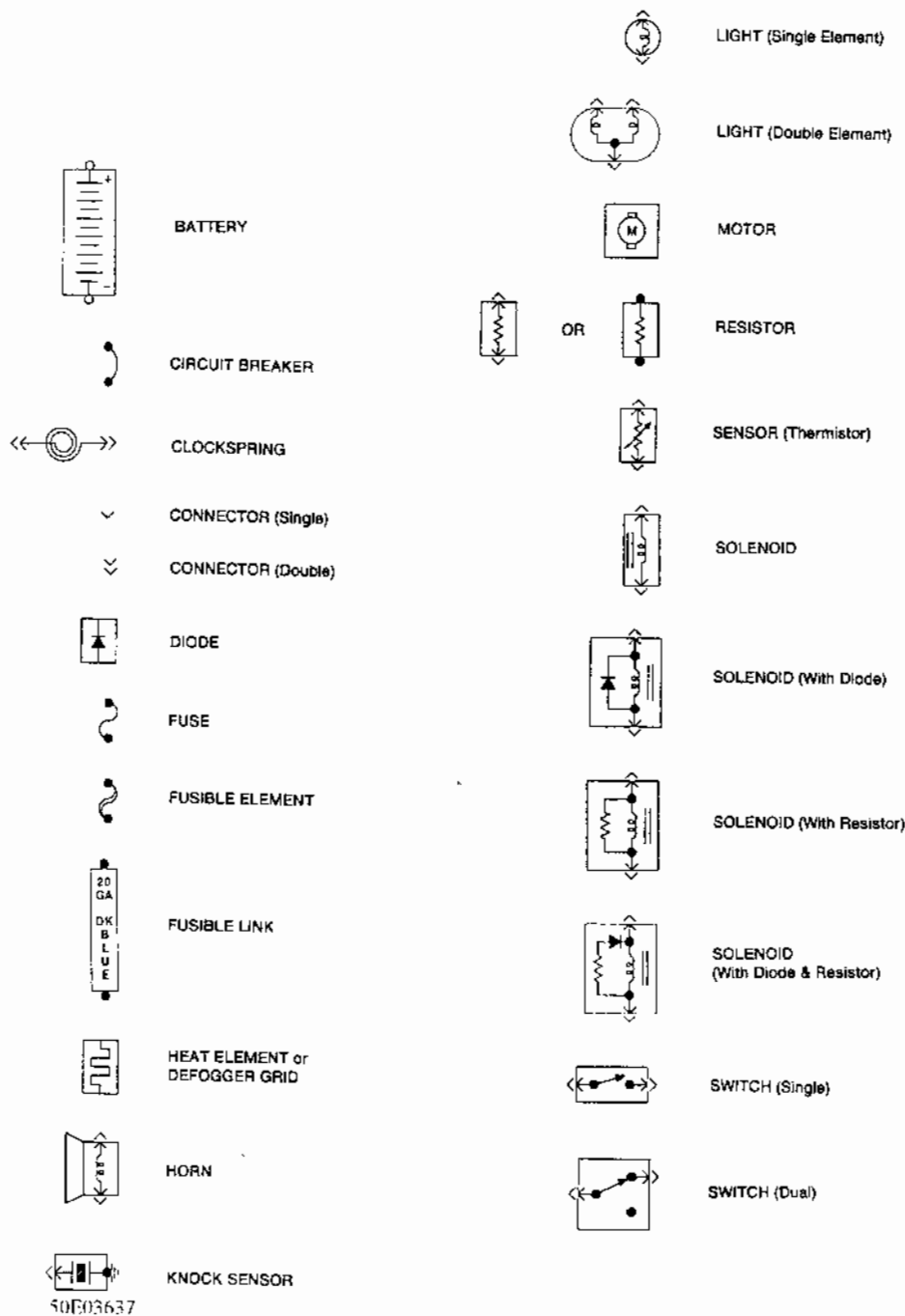


Fig. 1: Identifying Wiring Diagram Symbols

WIRING DIAGRAM COMPONENT LOCATIONS

When trying to locate a component in a wiring diagram and you don't know the specific system where it is located, use this handy component locator to find the system wiring diagram in which the component is located. Then, go to that system and locate the component within the wiring diagram.

For example, if you don't know the specific system in which the ignition switch is located, look up ignition switch in the wiring

HOW TO USE SYSTEM WIRING DIAGRAMS

Entire Article

1991 Mercury Capri

diagram component location tables and go to the appropriate wiring diagram(s) which contain either full or partial views of the ignition switch. The full view of the ignition switch is located in Power Distribution.

The first listing for the component will be the full or most complete view of the component. Additional listings will be partial views of the component. Not all components are used on all models.

All components will have a partial view in Ground Distribution and Power Distribution. Data Link Connectors show connecting circuits between modules. Alternate names for components may be listed in wiring diagram component locations tables.

WIRING DIAGRAM COMPONENT LOCATIONS TABLE

AA

Component	Wiring Diagram
ABS Electronic Control Unit	Anti-Lock Brakes Data Link Connectors
ABS Hydraulic Unit	Anti-Lock Brakes
Acceleration Sensor	Anti-Lock Brakes
Accessory Delay Relay	Power Windows
A/C Compressor Clutch Relay	Engine Performance
A/C Sensor	Engine Performance
A/C Pressure Switch	Engine Performance
Adaptive Lamp Control Module	Exterior Lights
Air Bag(s)	Air Bag Restraint System
Air Bag Module	Air Bag Restraint System
Air Bag Sensor(s)	Air Bag Restraint System
Air Injection Pump Relay	Engine Performance
Air Temperature Sensor	Overhead Console
Alternator (Generator)	Generators & Regulators
Anti-Theft Control Module	Anti-Theft System Starters
Autolamp Control Relay	Headlight Systems Daytime Running Lights
Automatic Shutdown (ASD) Relay	Engine Performance Generators & Regulators
Autostick Switch	Engine Performance
Auxiliary Battery Relay	Generators & Regulators
Back-Up Lights	Back-Up Lights Exterior Lights
Barometric (BARO) Pressure Sensor	Engine Performance
Battery	Power Distribution
Battery Temperature Sensor	Engine Performance
Body Control Module	Body Control Computer Anti-Theft System Daytime Running Lights Engine Performance Headlight Systems Warning Systems
Boost Control Solenoid	Engine Performance
Boost Sensor	Engine Performance
Brake Fluid Level Switch	Analog Instrument Panels
Brake On/Off (BOO) Switch	Cruise Control Systems

HOW TO USE SYSTEM WIRING DIAGRAMS

Entire Article

1991 Mercury Capri

	Engine Performance
	Shift Interlock Systems
Buzzer Module	Warning Systems
Camshaft Position (CMP) Sensor	Engine Performance
Central Control Module	Anti-Theft System
Clockspring	Air Bag Restraint System
	Cruise Control Systems
	Steering Column Switches
Clutch Pedal Position Switch	Starters
Clutch Start Switch	Starters
Combination Meter	Analog Instrument Panels
Constant Control Relay Module (CCRM)	Engine Performance
	Electric Cooling Fans
Convenience Center	Power Distribution
	Illumination/Interior Lights
Convertible Top Motor	Power Convertible Top
Convertible Top Switch	Power Convertible Top
Crankshaft Position (CKP) Sensor	Engine Performance
Cruise Control Module	Cruise Control Systems
Cruise Control Switch	Cruise Control Systems
Condenser Fan Relay(s)	Electric Cooling Fans
Data Link Connector (DLC)	Engine Performance
Daytime Running Lights Module	Daytime Running Lights
	Exterior Lights
Defogger Relay	Rear Window Defogger
Diagnostic Energy Reserve Module (DERM) ...	Air Bag Restraint System
Discriminating Sensor (Air Bag)	Air Bag Restraint System
Distributor	Engine Performance
Door Lock Actuators	Power Door Locks
	Remote Keyless Entry
Door Lock Relay(s)	Power Door Locks
Electrochromic Mirror	Power Mirrors
Electronic Level Control (ELC)	
Height Sensor	Electronic Suspension
Electronic Level Control (ELC) Module	Electronic Suspension
Engine Coolant Temperature (ECT)	
Sending Unit	Analog Instrument Panels
Engine Coolant Temperature (ECT) Sensor	Engine Performance
Engine Control Module	Engine Performance
	Generators & Regulators
	Starters
ETACS ECU	Warning Systems
	Power Windows
	Remote Keyless Entry
Evaporative (EVAP) Emissions Canister	Engine Performance
EVAP Canister Purge Solenoid	Engine Performance
EVAP Canister Vent Solenoid	Engine Performance
Exhaust Gas Recirculation (EGR) Valve	Engine Performance
Fuel Tank Vacuum Sensor	Engine Performance
Fog Lights	Headlight Systems
	Daytime Running Lights
Fog Light Relay	Headlight Systems
	Daytime Running Lights
Fuel Door Release Solenoid	Power Fuel Door Release

HOW TO USE SYSTEM WIRING DIAGRAMS

Entire Article

1991 Mercury Capri

Fuel Gauge Sending Unit	Analog Instrument Panels
Fuel Injectors	Engine Performance
Fuel Pump	Engine Performance
Fuel Pump Relay	Engine Performance
	Power Distribution
Fuse/Relay Block	Power Distribution
Fusible Links	Power Distribution
	Generators & Regulators
	Starters
Generator	Generators & Regulators
	Engine Performance
	Power Distribution
Generic Electronic Module (GEM)	Body Control Modules
	Electronic Suspension
Glow Plug Relay	Engine Performance
Glow Plugs	Engine Performance
Grounds	Ground Distribution
Headlight Door Module	Headlight Doors
Headlight Relay	Headlight Systems
	Daytime Running Lights
Headlights	Headlight Systems
	Daytime Running Lights
Heated Oxygen Sensor(s) (HO2S)	Engine Performance
Heated Windshield Control Module	Heated Windshields
Height Sensor	Electronic Suspension
Horns	Steering Column Switches
Horn Relay	Steering Column Switches
Idle Air Control (IAC) Motor/Valve	Engine Performance
Ignition Coil(s)	Engine Performance
Ignition Key Lock Cylinder	Anti-Theft System
Ignition Module	Engine Performance
Ignition Switch	Power Distribution
	Engine Performance
	Generators & Regulators
	Starters
Illuminated Entry Module	Illumination/Interior Lights
Illumination Lights	Illumination/Interior Lights
Impact Sensor	Air Bag Restraint System
Inertia Fuel Shutoff Switch	Engine Performance
Inhibit Relay	Starters
Instrument Cluster	Analog Instrument Panels
Intake Air Temperature (IAT) Sensor	Engine Performance
Interior Lights	Illumination/Interior Lights
Interlock Switch	Starters
Junction Block	Power Distribution
Keyless Entry Receiver	Remote Keyless Entry
Key Reminder Switch	Starters
Knock Sensor	Engine Performance
Lamp Control Module	Exterior Lights
License Plate Lamp	Exterior Lights
Lighting Control Module	Lighting Control Modules
	Anti-Theft System
	Daytime Running Lights
	Headlight Systems

HOW TO USE SYSTEM WIRING DIAGRAMS

Entire Article

1991 Mercury Capri

Lower Relay	Power Convertible Top
Malfunction Indicator Light (MIL)	Engine Performance
	Instrument Panels
Manifold Absolute Pressure (MAP) Sensor	Engine Performance
Mass Airflow (MAF) Sensor	Engine Performance
Mega Fuse	Generators & Regulators
Memory Seat/Mirror Module	Memory Systems
Mirror Defogger	Rear Window Defogger
Moon Roof Motor	Power Moon Roof
Moon Roof Relay	Power Moon Roof
Multi-Function Control Module	Warning Systems
Neutral Safety Switch	Starters
Oil Level Switch	Engine Performance
Oil Pressure Switch/Sending Unit	Analog Instrument Panels
	Engine Performance
Overhead Console	Overhead Console
Oxygen Sensor(s) (O2S)	Engine Performance
Parking Brake Switch	Analog Instrument Panels
Park Lights	Exterior Lights
Park/Neutral Position Switch	Starters
	Engine Performance
	Anti-Theft System
	Body Control Module
Perimeter Lighting Control Relay	Exterior Lights
Power Amplifier	Power Antennas
Power Antenna Module	Power Antennas
Power Antenna Motor	Power Antennas
Power Distribution Center	Power Distribution
	Generators & Regulators
	Starters
Power Door Lock Motors	Power Door Locks
Power Mirror Motors	Power Mirrors
	Memory Systems
Power Sliding Door Controller	Power Sliding Side Door
Power Seat Motors	Power Seats
	Memory Systems
Power Steering Pressure Switch	Engine Performance
Power Top Motor	Power Convertible Top
Power Top Relay(s)	Power Convertible Top
Powertrain Control Module	Engine Performance
	Analog Instrument Panels
	Cruise Control Systems
	Data Link Connectors
	Generators & Regulators
	Starters
Power Window Motors	Power Windows
Power Window Relay(s)	Power Windows
Radiator Fan Motor(s)	Electric Cooling Fans
Radiator Fan Relay(s)	Engine Performance
	Electric Cooling Fans
Rainsense Module	Wiper/Washer Systems
Raise Relay	Power Convertible Top
Remote Anti-Theft Personality (RAP) Module	Anti-Theft System
	Starters

HOW TO USE SYSTEM WIRING DIAGRAMS

Entire Article

1991 Mercury Capri

	Warning Systems
Seat Belt Pretensioners	Air Bag Restraint System
Seat Belt Retractor Solenoid	Passive Restraints
Seat Belt Switch	Air Bag Restraint System
	Passive Restraints
Shift Interlock Solenoid	Shift Interlock Systems
Shift Lock Actuator	Shift Interlock Systems
Side Marker Lights	Exterior Lights
SIR Coil Assembly (Clockspring)	Air Bag Restraint System
Slip Ring (Clockspring)	Air Bag Restraint System
	Steering Column Switches
SRS Control Module	Air Bag Restraint System
Starter Motor	Starters
Starter Interrupt Relay	Starters
Starter Solenoid	Starters
Starter Relay	Starters
Steering Wheel Position Sensor	Anti-Lock Brakes
Stoplights	Exterior Lights
Stoplight Switch	Engine Performance
	Cruise Control Systems
	Anti-Lock Brakes
Sun Roof ECU	Power Sun Roof
Sun Roof Motor	Power Sun Roof
Sun Roof Position Sensor	Power Sun Roof
Taillights	Exterior Lights
Throttle Position (TP) Sensor	Engine Performance
Torque Converter Clutch Solenoid/Switch	Engine Performance
Traction Control Switch	Anti-Lock Brakes
Trailer Tow Connector	Exterior Lights
Trailer Tow Relay	Exterior Lights
Transmission/Transaxle	Engine Performance
Transmission Control Module (TCM)	Engine Performance
	Starters
Transmission Range Sensor	Starters
	Back-Up Lights
	Engine Performance
Transmission Range Switch	Back-Up Lights
	Engine Performance
	Anti-Theft System
Turn Signal Flasher	Exterior Lights
Turn Signal Lights	Exterior Lights
Twilight Sentinel Switch	Headlight Systems
	Daytime Running Lights
Vapor Canister Leak Detection Pump	Engine Performance
Vehicle Control Module (VCM)	Engine Performance
Vehicle Dynamic Module	Electronic Suspension
Vehicle Speed Control Servo	Cruise Control Systems
Vehicle Speed Sensor	Data Link Connectors
	Analog Instrument Panels
	Cruise Control Systems
	Electronic Suspension
Voltage Regulator	Generators & Regulators
Water-In-Fuel Sensor	Engine Performance
	Analog Instrument Panels

HOW TO USE SYSTEM WIRING DIAGRAMS

Entire Article

1991 Mercury Capri

Wheel Speed Sensors Anti-Lock Brakes
Window Timer Module Power Convertible Top
Windshield Intermittent Wiper Relay Wiper/Washer Systems
Windshield Washer Motor Wiper/Washer Systems
Wiper Motor Wiper/Washer Systems
XX

END OF ARTICLE

SYSTEM WIRING DIAGRAMS

Entire Article

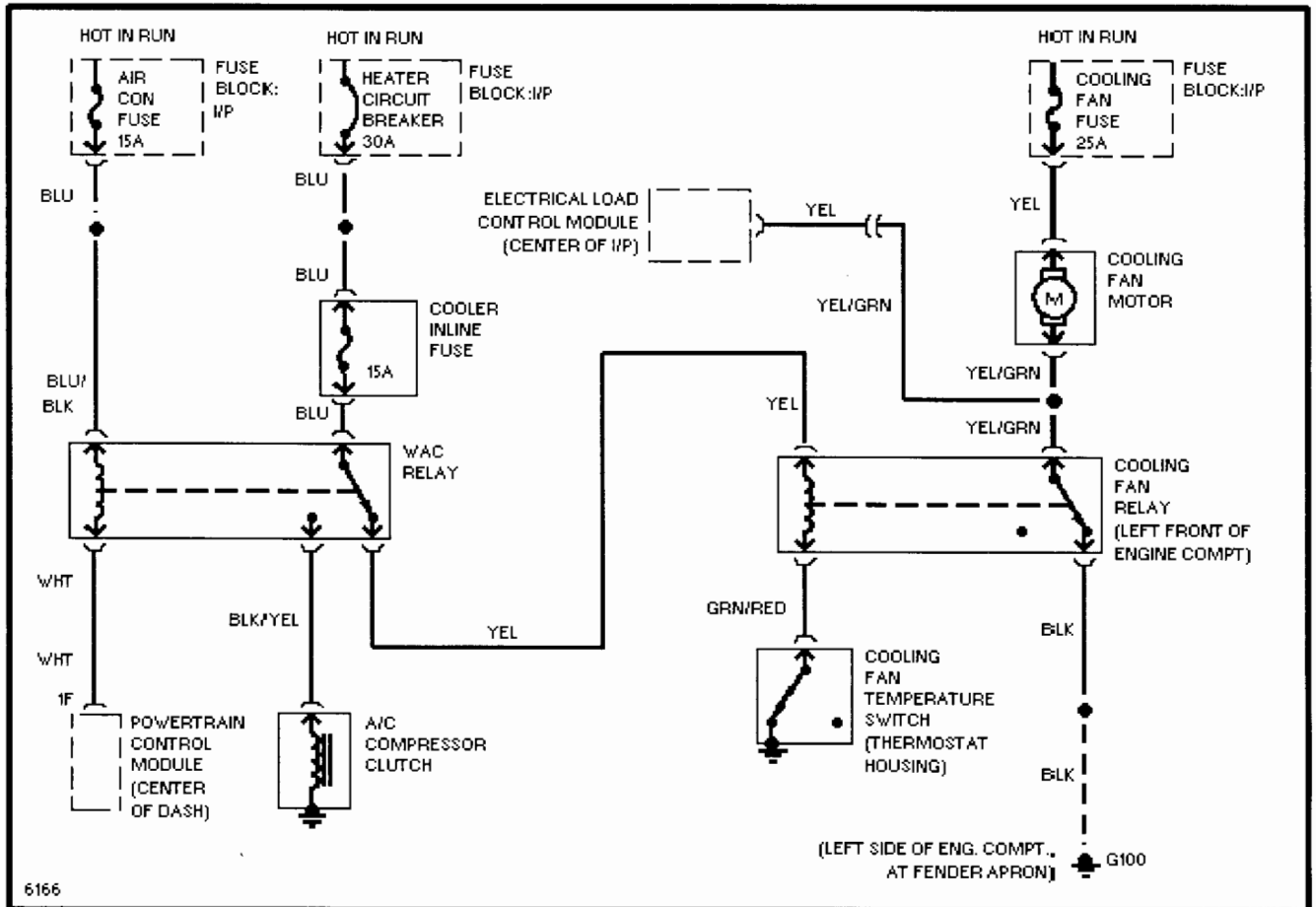
1991 Mercury Capri

ARTICLE BEGINNING

1991 System Wiring Diagrams
Mercury - Capri

COOLING FAN

1.6L

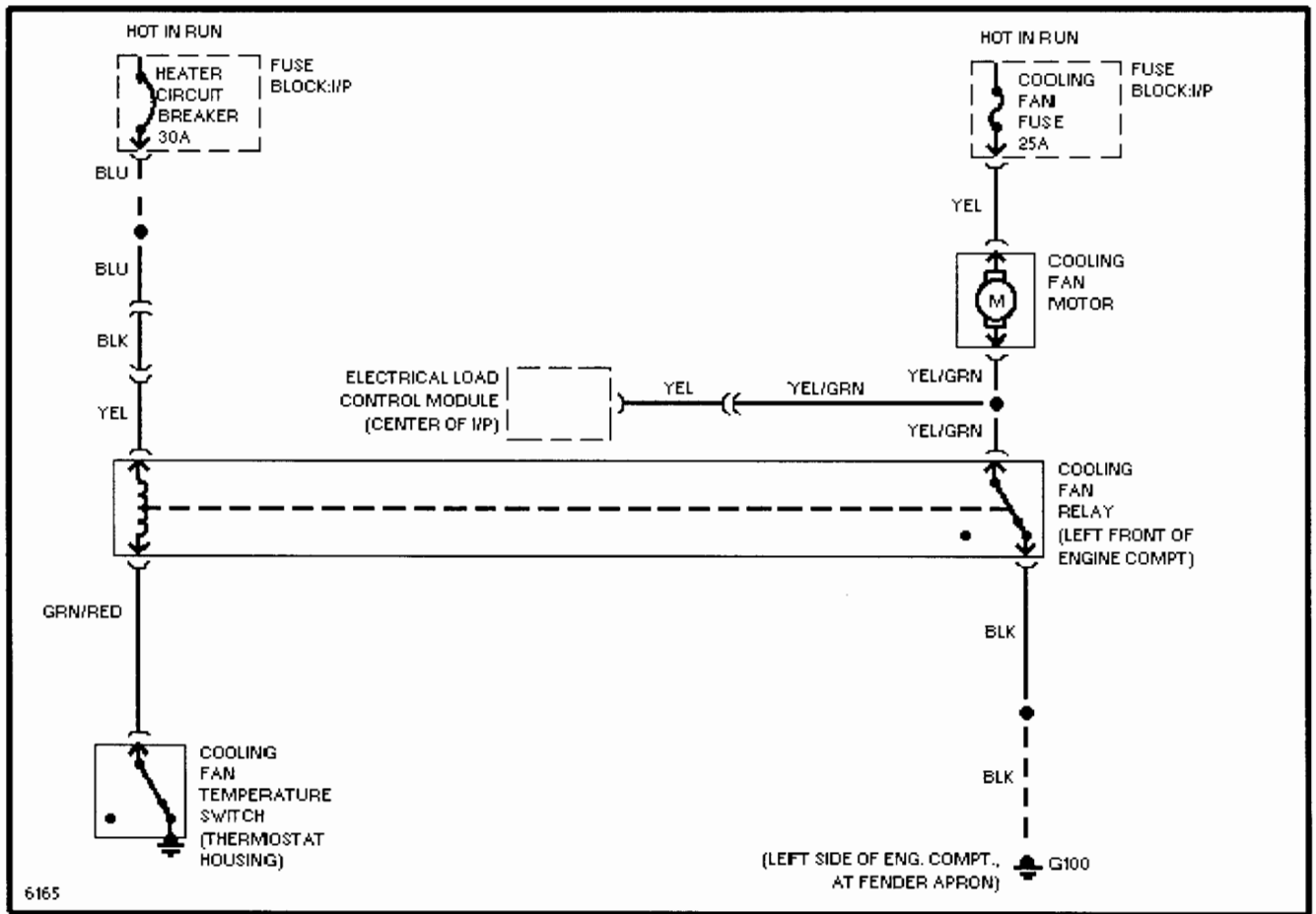


1.6L, Cooling Fan Circuit, W/ A/C

SYSTEM WIRING DIAGRAMS

Entire Article

1991 Mercury Capri



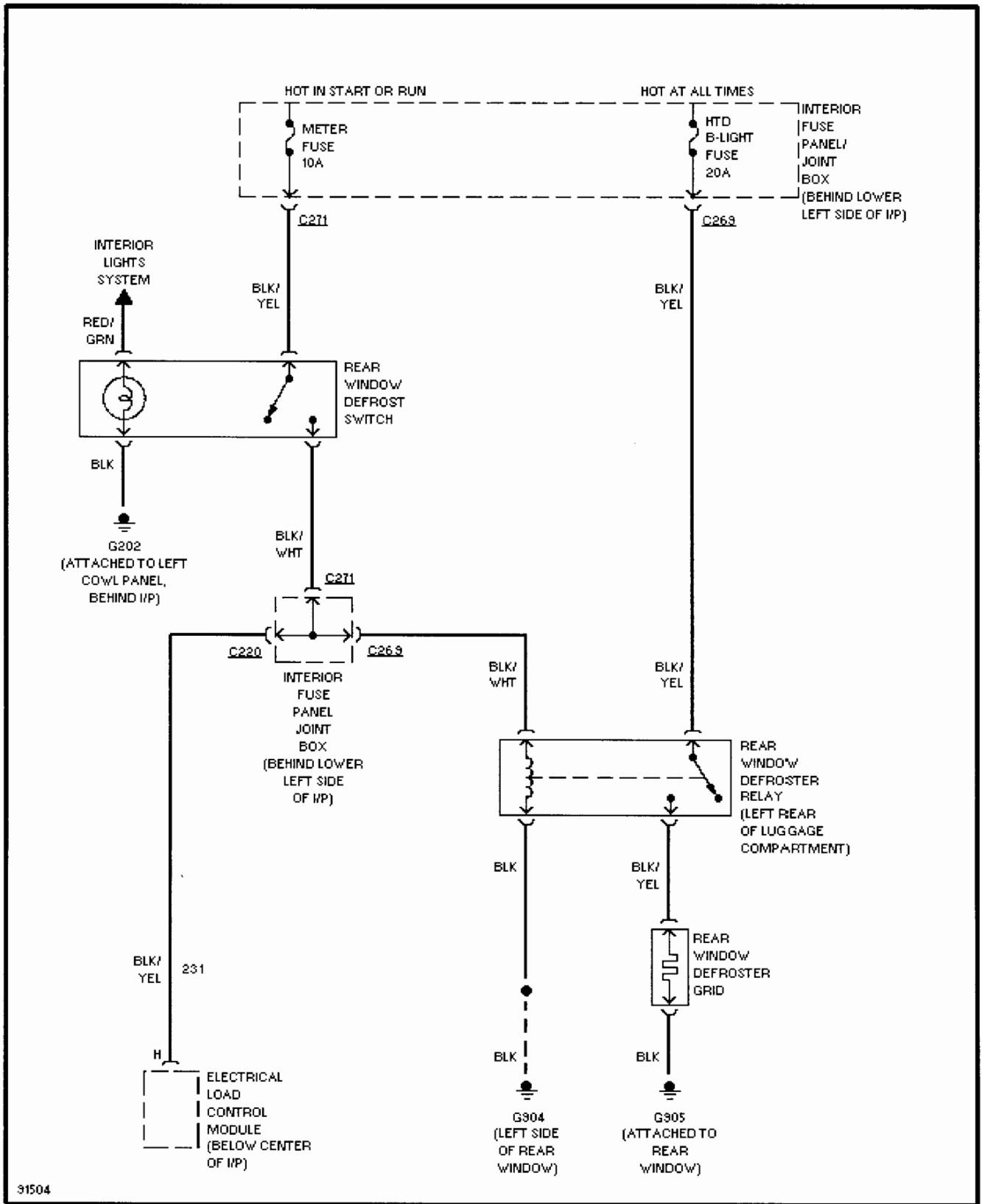
1.6L, Cooling Fan Circuit, W/O A/C

DEFOGGERS

SYSTEM WIRING DIAGRAMS

Entire Article

1991 Mercury Capri



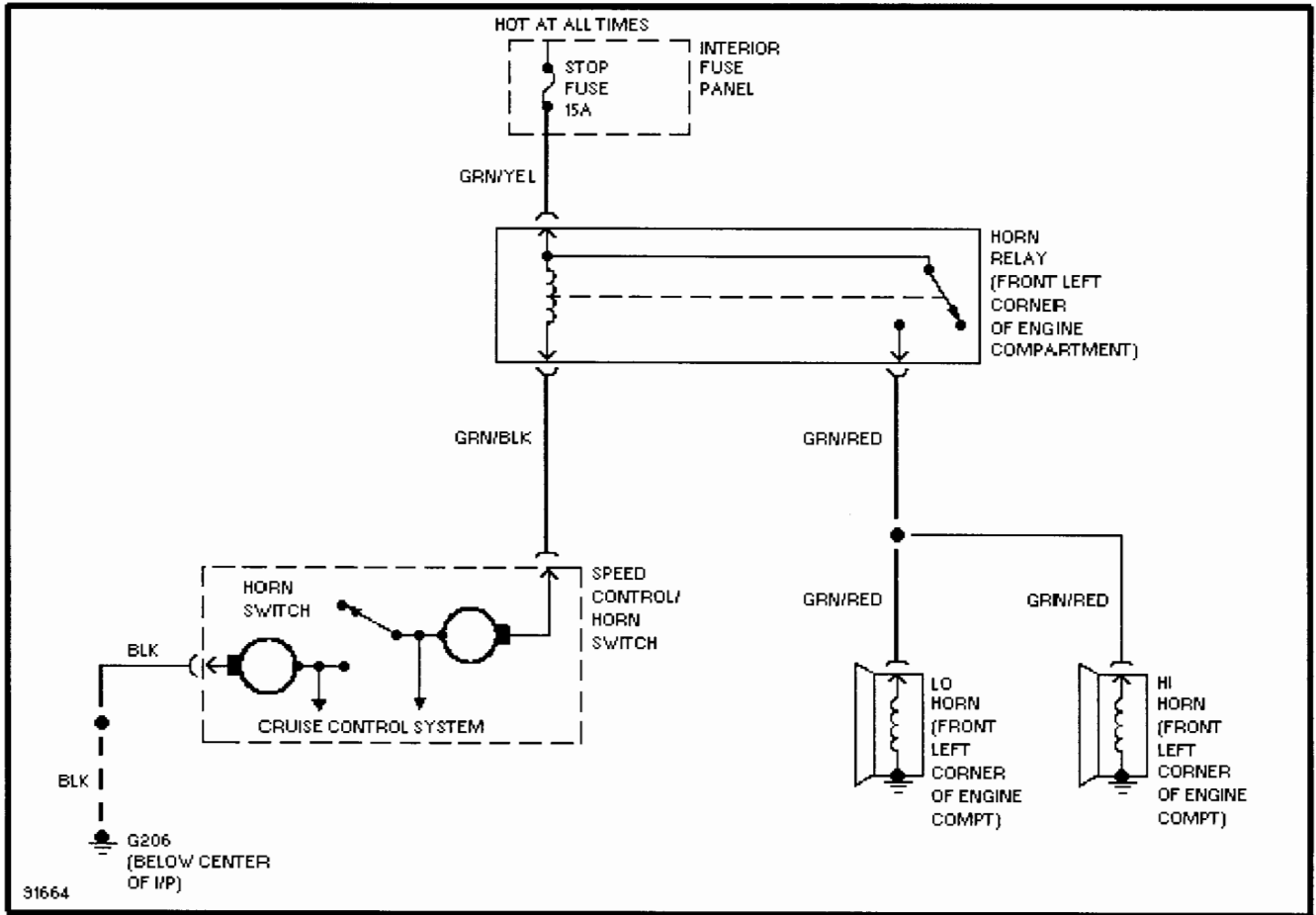
Defogger Circuit

SYSTEM WIRING DIAGRAMS

Entire Article

1991 Mercury Capri

HORN



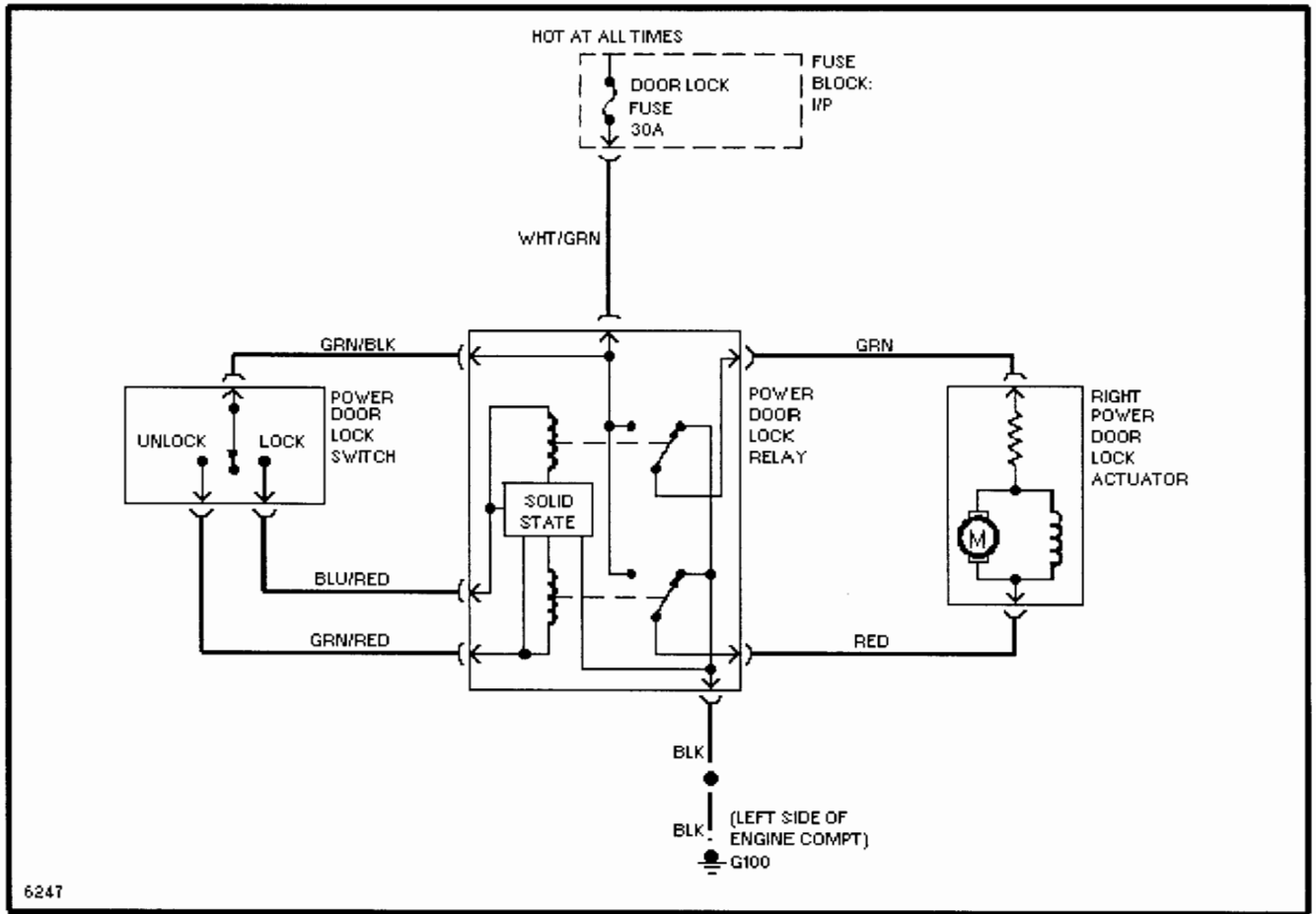
Horn Circuit

POWER DOOR LOCKS

SYSTEM WIRING DIAGRAMS

Entire Article

1991 Mercury Capri



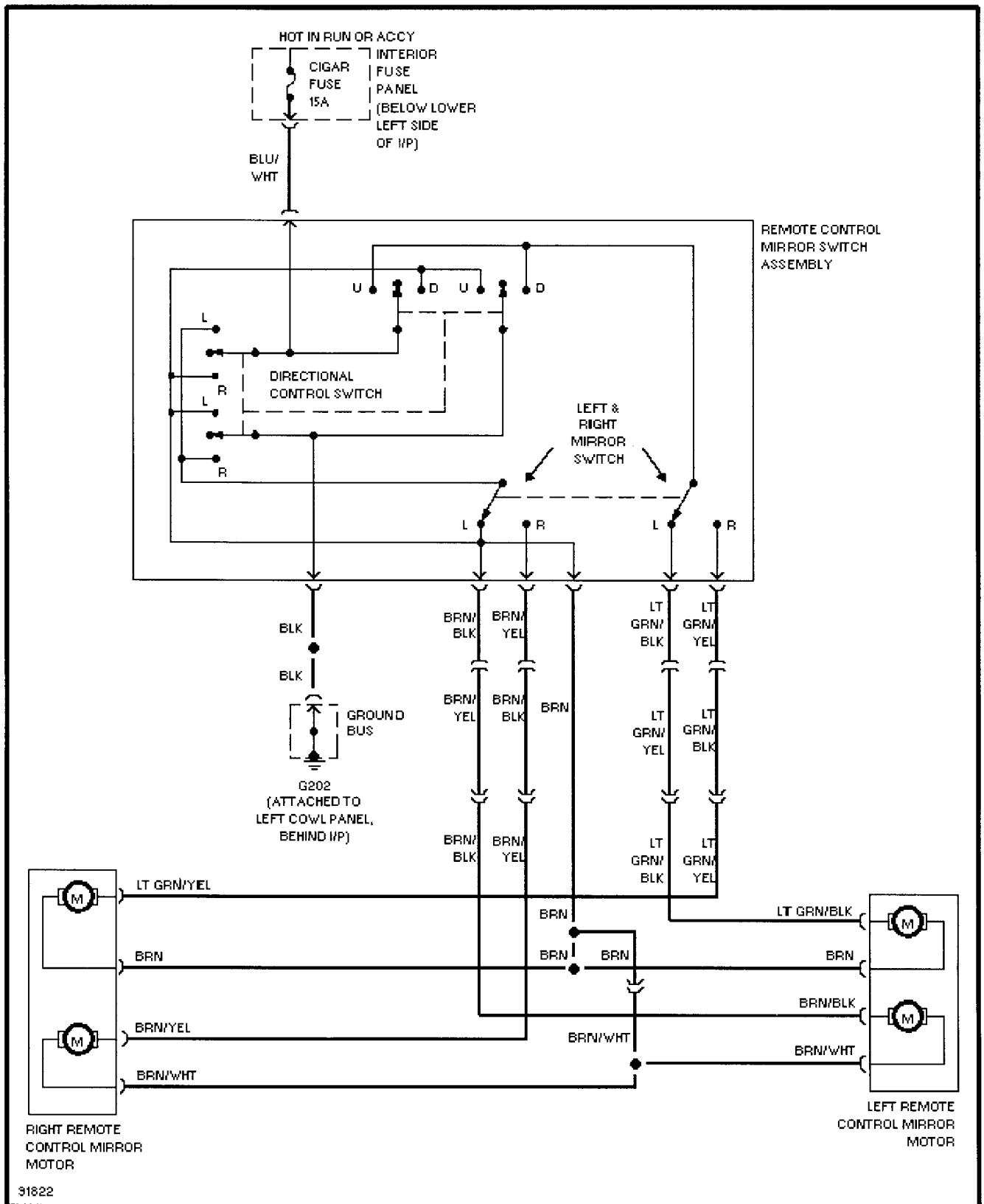
Power Door Lock Circuit

POWER MIRRORS

SYSTEM WIRING DIAGRAMS

Entire Article

1991 Mercury Capri



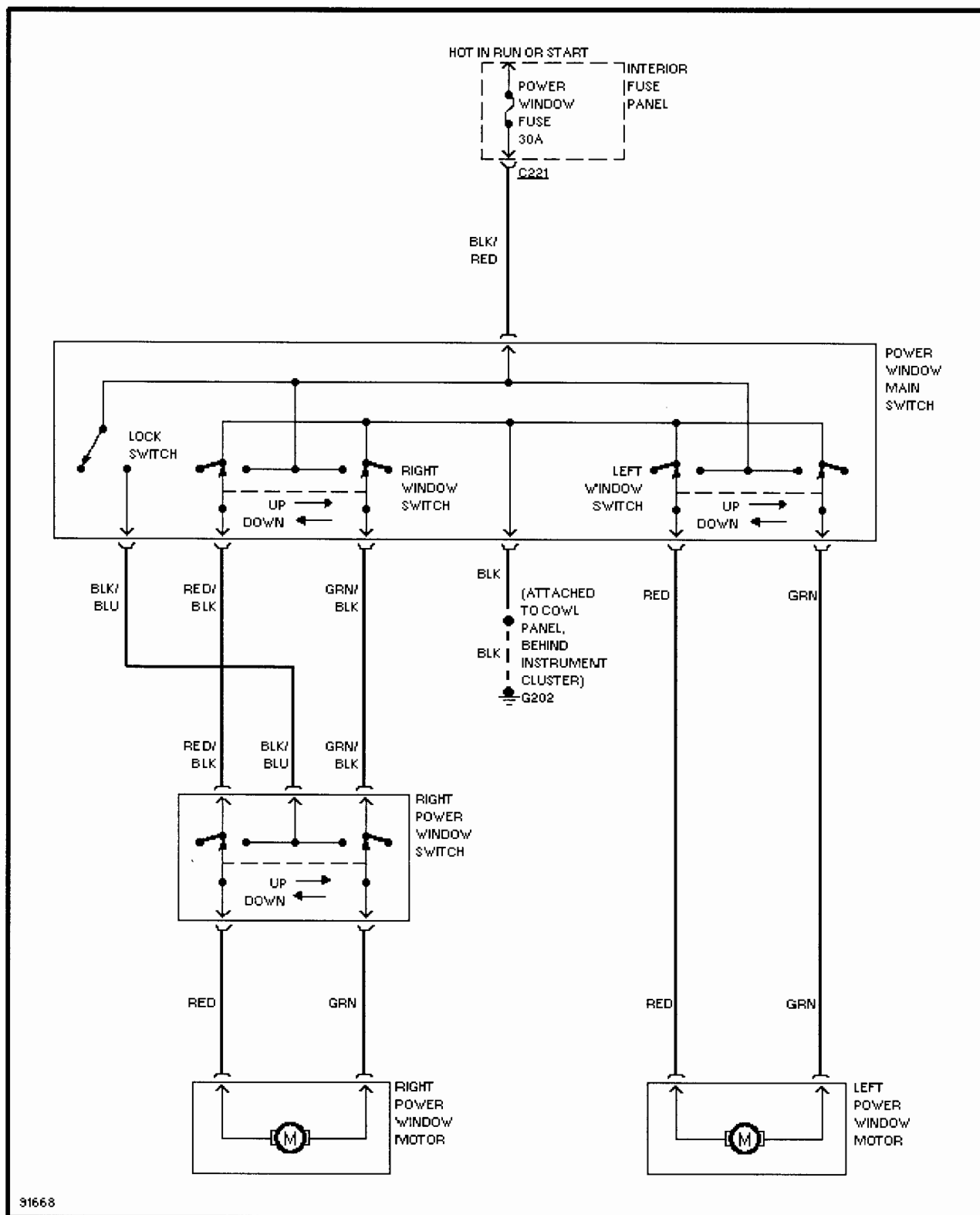
Power Mirror Circuit

SYSTEM WIRING DIAGRAMS

Entire Article

1991 Mercury Capri

POWER WINDOWS



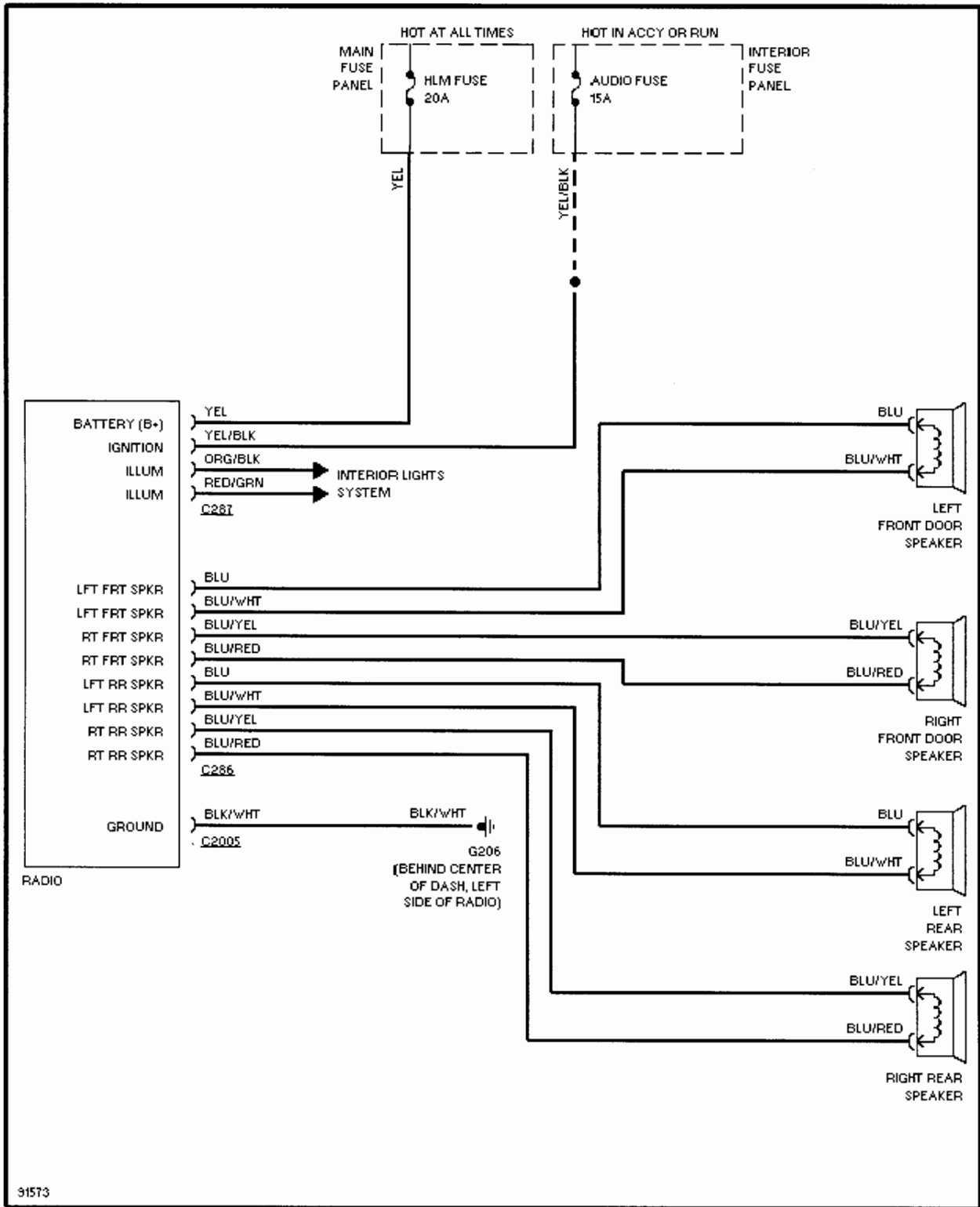
Power Window Circuit

SYSTEM WIRING DIAGRAMS

Entire Article

1991 Mercury Capri

RADIO



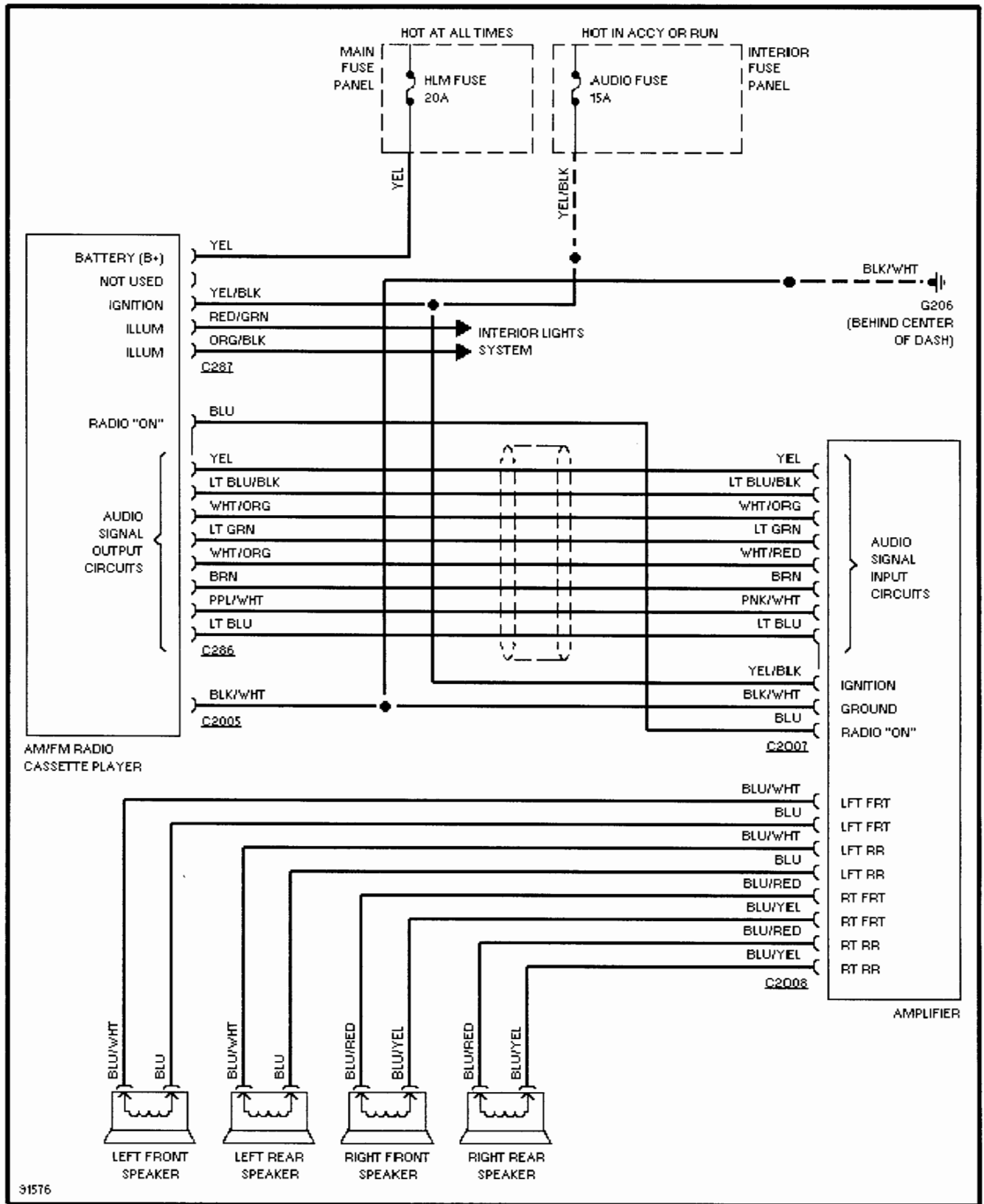
31573

Radio Circuits, Base Radio

SYSTEM WIRING DIAGRAMS

Entire Article

1991 Mercury Capri



31576

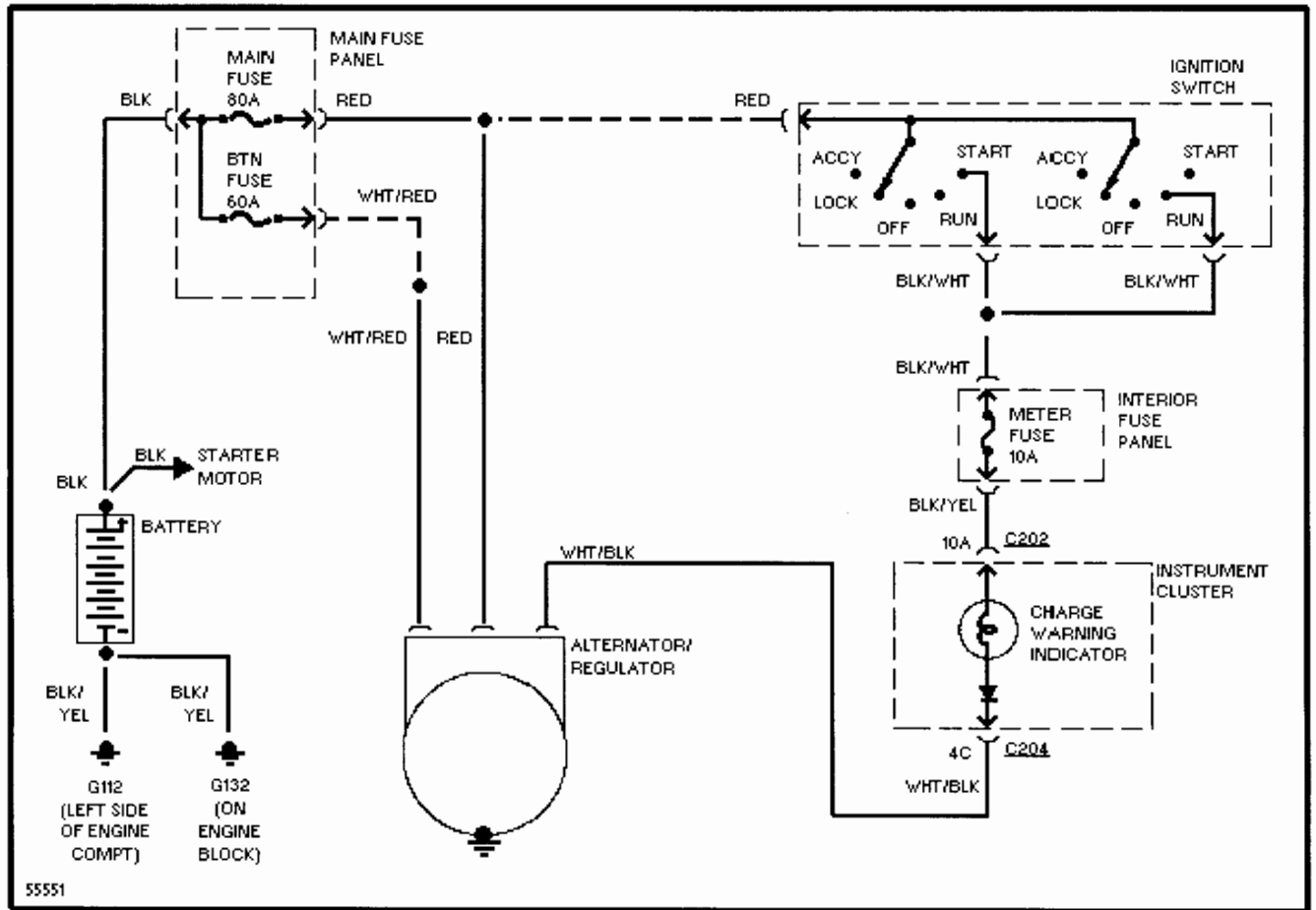
Radio Circuits, W/ Amplifier

SYSTEM WIRING DIAGRAMS

Entire Article

1991 Mercury Capri

STARTING/CHARGING

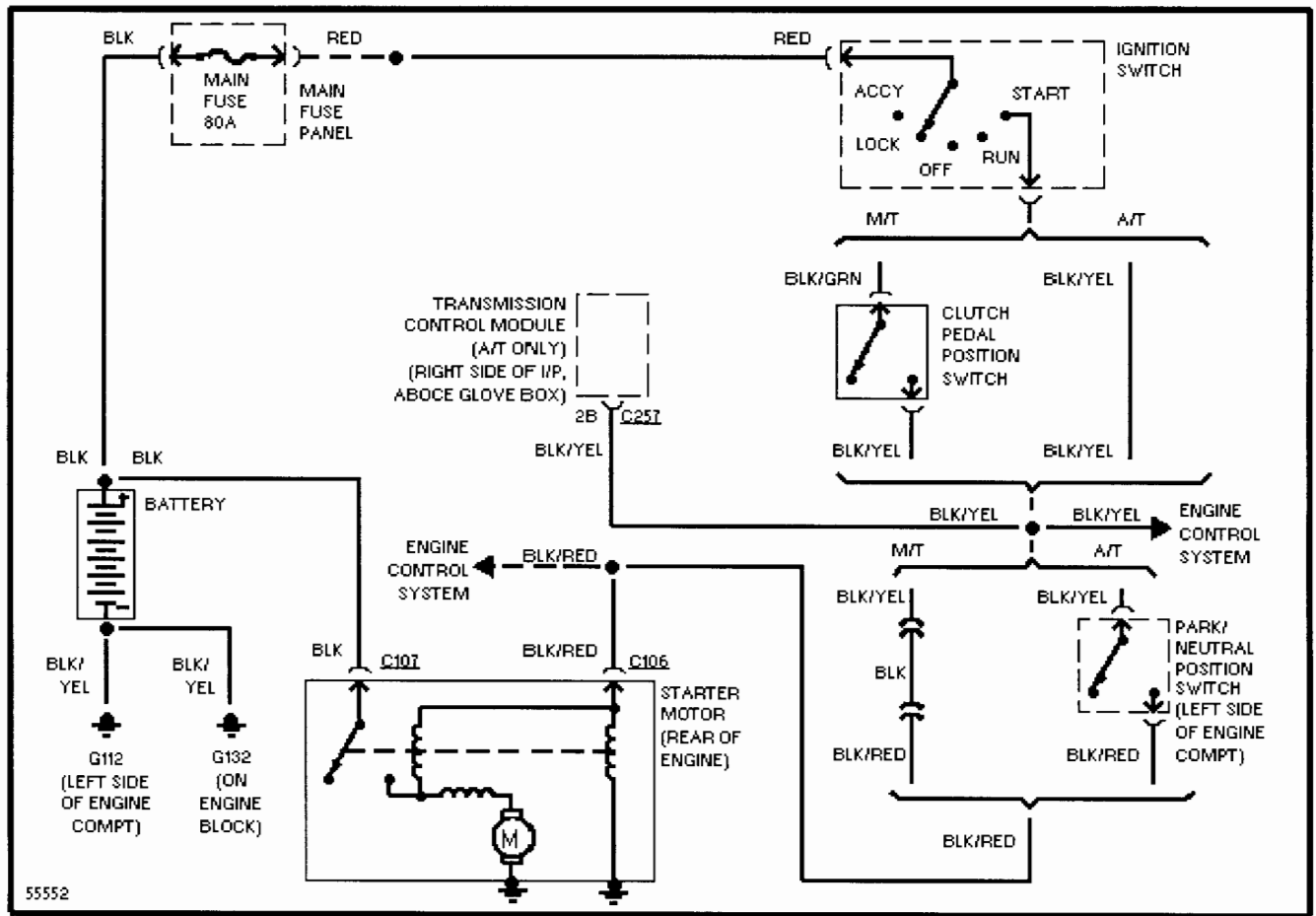


Charging Circuit

SYSTEM WIRING DIAGRAMS

Entire Article

1991 Mercury Capri

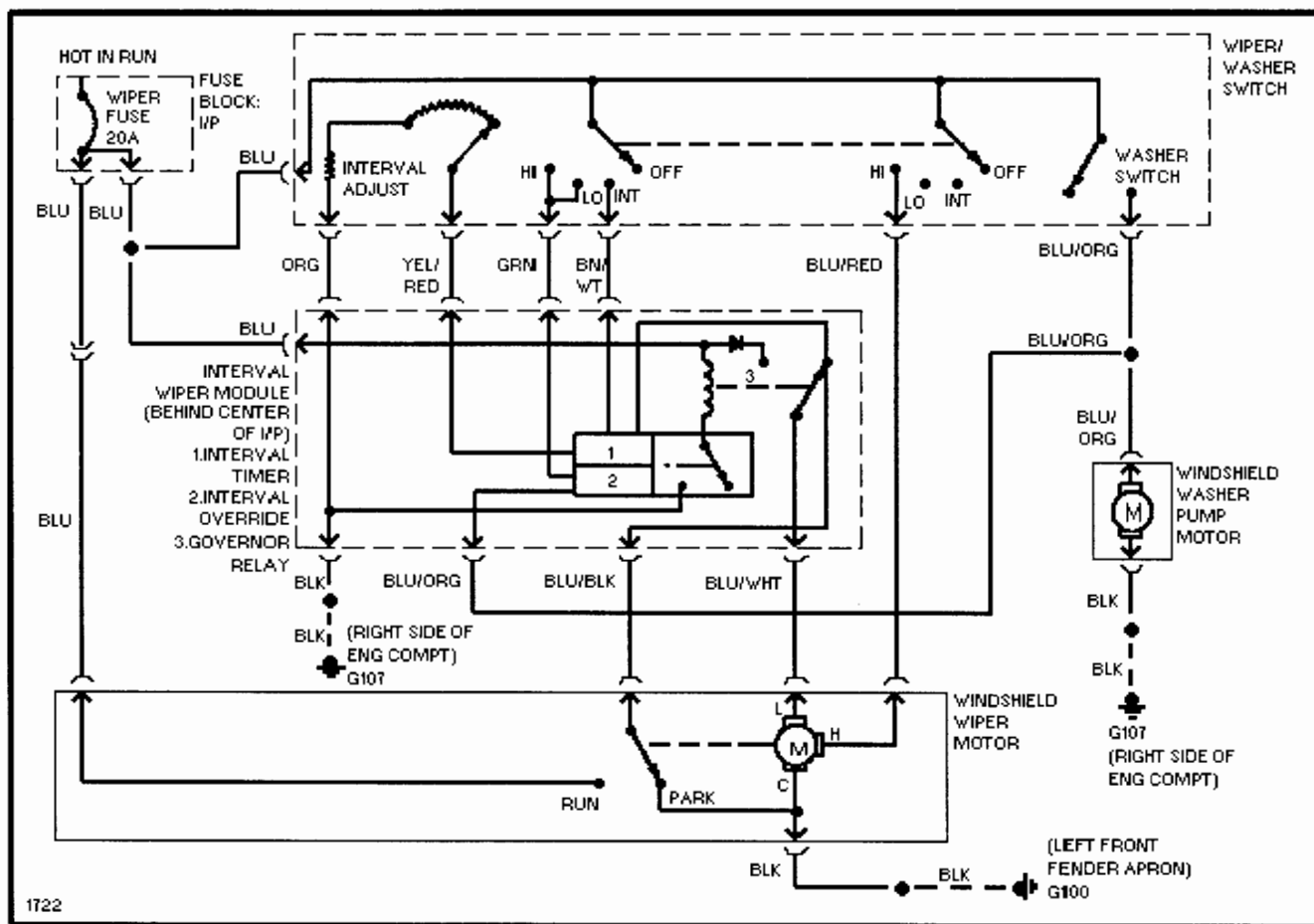


Starting Circuit

WIPER/WASHER

SYSTEM WIRING DIAGRAMS

Entire Article
1991 Mercury Capri



Wiper/Washer Circuit

END OF ARTICLE